

PNEUMATIC VALVES | General Purpose

BC Series

BC 1/4" Body Ported Valves

- 5 port valves - mechanical, air and solenoid
- 3 port (only Sol-Spring)
- Port size : 1/4" BSP
- Can be used as an independent valve or installed on a manifold.

Technical Data

Fluid	Air / Inert gas
Operation pressure	1.5 to 10 bar
Ambient temperature	-5° to 55° C (option for FKM seals) up to 150° C
Lubrication	Not required (use turbine oil class ISO VG32 if lubricated)
Port size	1/4" BSP
Flow rate (Air)	1,100 L/min (at 5.5 bar)



Mechanically Operated



Air Operated



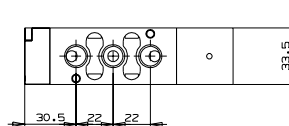
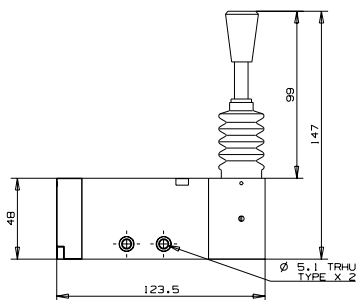
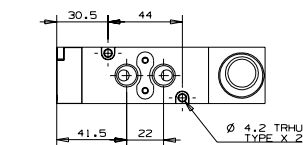
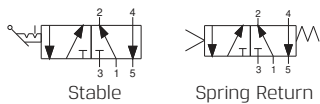
Solenoid Operated



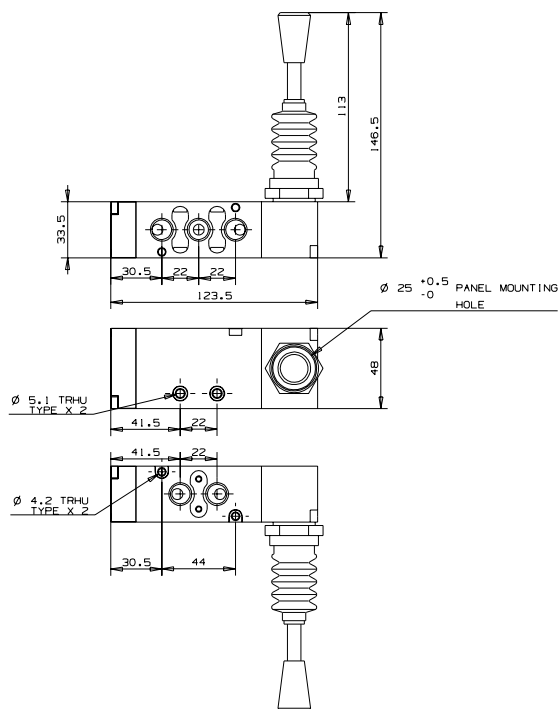
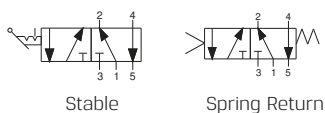
Manifold

BC | Mechanically Operated

BCM5 | Lever Protec



BCM5-PM | Lever Protec Panel Mounting



How to Order

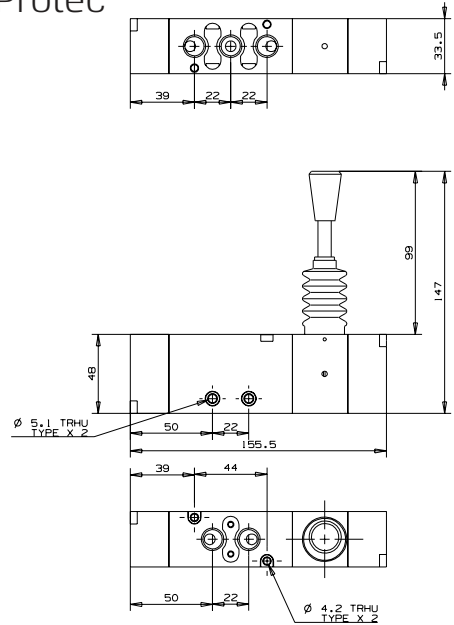
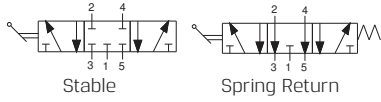
BCM5	MODEL	ACTUATOR TYPE
w/out panel mounting	Nil	Stable D
with panel mounting	PM	Spring Return S

PNEUMATIC VALVES | General Purpose

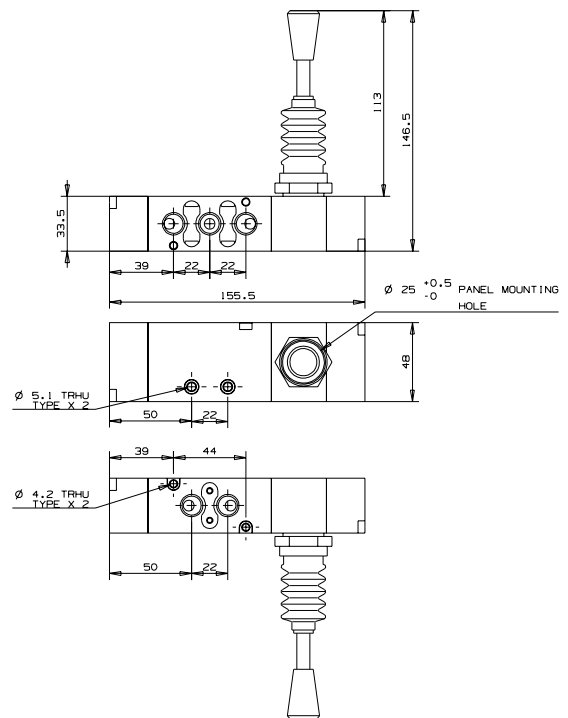
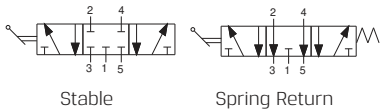
BC Series | 1/4" Body Ported Valves

BC | Mechanically Operated

BCM5 | 3 Position Closed & Open Center Lever Protec



BCM5-PM | 3 Position Closed & Open Center Lever Protec Panel Mounting



How to Order

BCM5	MODEL	FUNCTION	ACTUATOR TYPE
w/out panel mounting ⁽¹⁾	Nil	Closed Center	P Stable
with panel mounting	PM	Exhaust Center	U Spring Return
		Pressure Center	Y

(1) Can be installed on a manifold (body ported type)