

# CONTROLLERS & SPECIAL VALVES

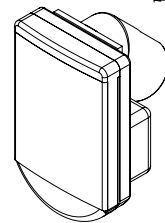
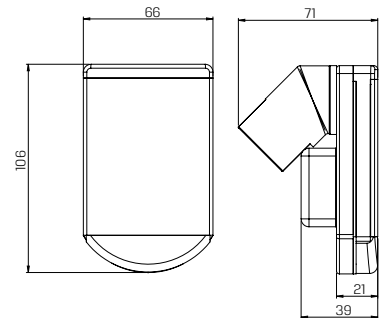
## GEM-FLOW™ | G75-BWM

### Baccara Water Meter Controller

- Single station water volume controller
- Connected to a water meter with pulse outlet
- Opens at a set time and closes when required water volume has been reached

#### Technical Data

Operating temperature	-10° to 60°C
Electrical	Powered by single 9V alkaline battery; use best quality to ensure at least one year's autonomous operation. <ul style="list-style-type: none"> <li>• Back-up memory</li> <li>• Low battery warning</li> <li>• Power saving LCD</li> <li>• Battery included</li> </ul>
Mounting	Various mounting options: <ul style="list-style-type: none"> <li>• Directly on a 28mm diameter solenoid in horizontal or vertical position with adaptor</li> <li>• Wall mounting with four screws</li> <li>• Accessories provided</li> </ul>
Solenoid	Compatible with G75 4Ω latch operator
Measurement units per pulse	100 liters   1m³   10m³   100 gallons   1000 gallons
Software	<ul style="list-style-type: none"> <li>• 24 hours real time clock</li> <li>• See 'Programming key features' table</li> </ul>
Options	Solar panel, charger
Standard protection class	<ul style="list-style-type: none"> <li>• Dust and watertight</li> <li>• IP67 and NEMA 4X</li> </ul>



#### How to Order

G75-BWM		VALVE		* G75-A															
				TYPE	PORT	FUNCTION	MANUAL OVERRIDE	ORIFICE											
	No valve	00		with flange	1	1/8" BSP	10	2W NC	1	None	0	1.0 <sup>(1)</sup>	1						
	1/2" BSP	40		Brass	3	1/8" NPT	11	3W NC	3			1.2	2						
	1/2" NPT	41																	
	3/4" BSP	50												1/4" BSP <sup>(1)</sup>	20	3W NO	4	1.6	3
	3/4" NPT	51												1/4" NPT <sup>(1)</sup>	21				
	1" BSP	60																	
	1" NPT	61																	
	1-1/2" BSP	70																	
	1-1/2" NPT	71																	
	2" BSP	80																	
	2" NPT	81																	
	<b>G75-A *</b>																		

#### Programming Key Features

Set start time
Set required water volume
Day select
OFF

#### Example: G75-BWM-G75-A-110102

GEM-FLOW™ G75-BWM - G75-A with flange, 1/8" BSP, 2W NC, no manual override, 1.2 orifice

(1) Brass only

\* To order controllers manufactured according to your specific requirements, please contact our technical sales department