

# CONTROLLERS & SPECIAL VALVES

## GEM-FLOW™ | G75-C-1W & 1W+

### Irrigation Window Controller



#### Technical Data

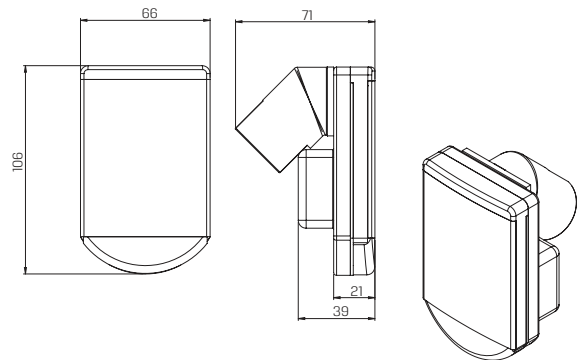
Operating temperature	-10° to 60°C
Mounting	<p>Various mounting options:</p> <ul style="list-style-type: none"> <li>• Directly on a 28mm diameter solenoid in horizontal or vertical position with adaptor</li> <li>• Wall mounting with four screws</li> <li>• Accessories provided</li> </ul>
Electrical	<p>Powered by single 9V alkaline battery; use best quality to ensure at least one year's autonomous operation.</p> <ul style="list-style-type: none"> <li>• Back-up memory</li> <li>• Low battery warning</li> <li>• Power saving LCD</li> <li>• Battery included</li> </ul>
Solenoid	<p>Both Window and Window+ controllers have identical programming.</p> <ul style="list-style-type: none"> <li>• <b>Window</b>: compatible with G75 4Ω latch operator</li> <li>• <b>Window+</b>: has a stronger output to operate G80 latch and GEM-SOL® '1L' latch coils</li> </ul>
Valve	<ul style="list-style-type: none"> <li>• <b>Window</b>: can operate any valve equipped with 3/4" UNEF solenoid cavity (Richdel® type)</li> <li>• <b>Window+</b>: only with Baccara latch valve</li> </ul>
Software	<ul style="list-style-type: none"> <li>• 24 hours real time clock</li> <li>• See 'Programming key features' table</li> </ul>
Options	<ul style="list-style-type: none"> <li>• Solar panel</li> <li>• Charger</li> <li>• Accurate clock (low time drift)</li> </ul>
Standard / Certification	CE
Standard protection class	<ul style="list-style-type: none"> <li>• Dust and watertight</li> <li>• IP67 and NEMA 4X</li> </ul>



G75 Window +



Irrigation cycles within a defined time frame



#### Mounting Options

Wall mounting



Horizontal mounting



# GEM-FLOW™ | G75-C-1W & 1W+ | Irrigation Window Controller

## Programming Key Features

Set start and end hours
Set On time (1 second to 12 hours)
Set Off time (1 min to 12 hours)
Day select
OFF

## How to Order: G75 Window

G75-C-1W	-	VALVE
		No valve 00
		1/2" BSP 40
		1/2" NPT 41
		3/4" BSP 50
		3/4" NPT 51
		1" BSP 60
		1" NPT 61
		1-1/2" BSP 70
		1-1/2" NPT 71
		2" BSP 80
		2" NPT 81
		<b>G75-A *</b>

### \* G75-A

TYPE	PORT	FUNCTION	MANUAL OVERRIDE	ORIFICE
with flange 1	1/8" BSP 10	2W NC 1	None 0	1.0 <sup>(1)</sup> 1
Brass 3	1/8" NPT 11	3W NC 3		1.2 2
	1/4" BSP <sup>(1)</sup> 20	3W NO 4		1.6 3
	1/4" NPT <sup>(1)</sup> 21			

\* This controller will only operate with G75 operators

### Example: G75-C-1W-50

GEM-FLOW™ G75 Window controller with 3/4" BSP valve.

(1) Brass only

## How to Order: G75 Window+

G75-C-1W+	-	VALVE
		Refer to How to Order section of GEM-SOL® valves. Consult with us to discuss your specific requirements.

### Example: G75-C-1W+-GEM-A-21045NO

GEM-FLOW™ G75 Window+ controller with: GEM-SOL® A32 (GEM-A) valve, Brass, 1/8" BSP, 3W NO, 2.4 orifice, NBR, no manual override.

\* To order controllers manufactured according to your specific requirements, please contact our technical sales department