

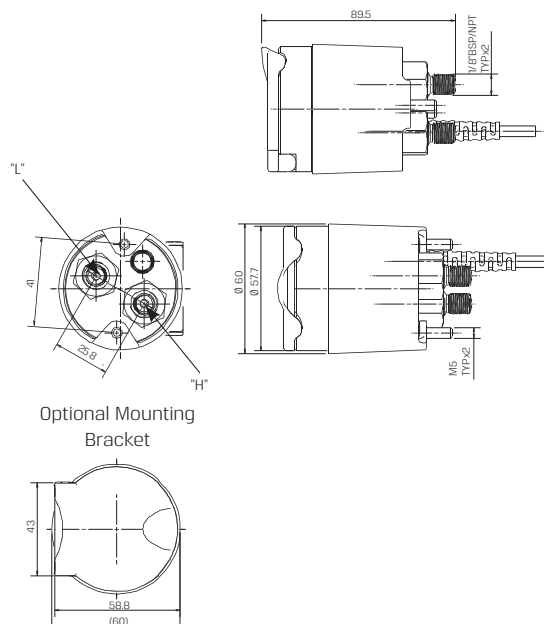
# GEM-FLOW™ | G75-DLS

## Digital Level Switch

- Measuring level of two set points: top and bottom
- Gives a signal to pump or valve
- Dry installation - no elements inside the tank
- Main applications: filling or draining of water reservoir and tanks

### Technical Data

Mechanical	<ul style="list-style-type: none"> <li>• Operating temperature: -10°C to 60°C (no freezing)</li> <li>• Outdoor UV protection</li> <li>• Front panel cover protection</li> </ul>
Electrical	<ul style="list-style-type: none"> <li>• Power supply: 6-24V DC or 12-24V AC</li> <li>• RED + BLK power supply</li> <li>• GRN / WHT N.O contact</li> <li>• Low power detect</li> <li>• Dry contact (N.O) 0.5A at 24V AC</li> <li>• Internal memory to retain "set-up data" at power down.</li> </ul>
Mounting	<ul style="list-style-type: none"> <li>• 2" (52mm) diameter</li> <li>• 2ft (60cm) 4 wires cable</li> <li>• Pressure ports 1/8" BSP/NPT (male)</li> <li>• High pressure port is marked by the letter "H" on the housing</li> <li>• Connect the water tank to the "H" port only</li> </ul>
Software	See 'Programming key features' table
Display	<ul style="list-style-type: none"> <li>• The LCD display shows the water level above the DLS mounting place</li> <li>• "ON" is displayed when the switch contacts are closed</li> </ul> <p><b>Display resolution:</b></p> <ul style="list-style-type: none"> <li>• 10 cm in a range of 0.0 - 70.0m</li> <li>• 0.01 bar in the range 0.0 - 7 bar</li> </ul>
Standard protection class	<ul style="list-style-type: none"> <li>• Dust and watertight</li> <li>• IP66</li> </ul>



### How to Order

G75-DLS	-	TYPE	ACCESSORIES
		Stand alone	1
		Mounting bracket	B

### Programming Key Features

Manual operation
Time interval between level measurements function
Function: "SET" for fill "RESET" for empty
Zero calibration

#### Example: G75-DLS-1B

GEM-FLOW™ G75-DLS Digital Level switch, stand alone, with mounting bracket

\* To order special valves manufactured according to your specific requirements, please contact our technical sales department