

SOLENOID VALVES | GEM-SOL® | Special Purpose

IP68

GEM-SOL® | GEM-BP

Special

IP68 Coil

Technical Data

Construction	Housing : encapsulated Polyurethane
Coil winding insulation	H 180°C
Temperature range	Ambient : -5°C to 50°C (no icing)
Duty cycle	100% ED
Protection	IP68 infinite time immersion under water, up to 2m depth
Electrical connection	3x18 AWG (0.75mm ²), hook up wire, 200cm * other lengths are available
Assembly	In any position
Coil fixing	One nut G1/4" hexagonal 19mm
Standard / Certification	European Standards IEC 60529 code IP68
Coil voltage	<ul style="list-style-type: none"> • Voltage and power consumption - see table • All Baccara coil voltages are ±10% of nominal

- The coil should not be energized without being assembled on the operator



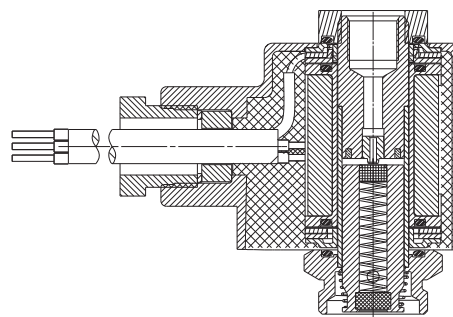
Power Consumption (AC)

Type	Inrush	Holding	Cos Ø
8W	1800 [mA]	680 [mA]	0.46
5.5W	1700 [mA]	580 [mA]	0.51
2.5W *	300 [mA]	190 [mA]	0.54

* + 2 Diodes

Power Consumption (DC)

Type
10W
5.5W
3.5W



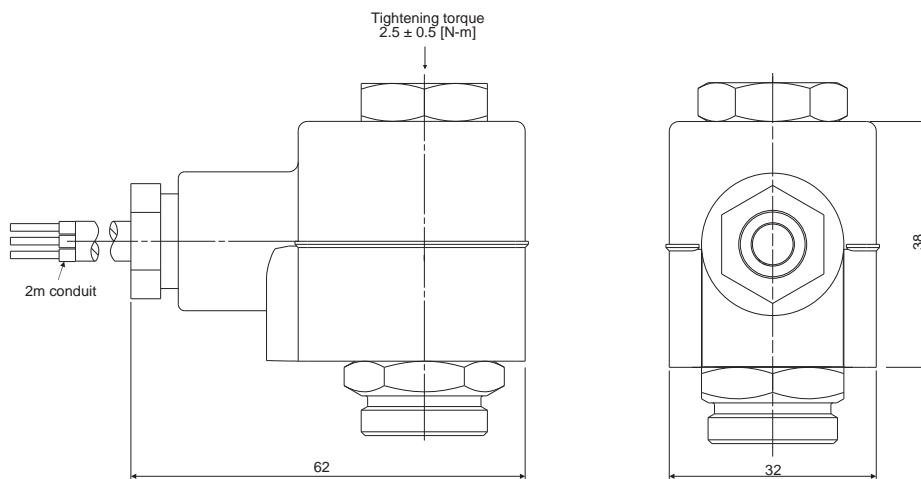
Voltage & Power Consumption

V	AC (W)						DC (W)		
	50 Hz			60 Hz			10	5.5	3.5
6									
12	•			•			•	•	•
24	•	•	•	•	•	•	•	•	•
48									
110									
120									
220									
230									
240									

- Available options

GEM-SOL® | GEM-BP | IP68 Coil

Dimensions



How to Order

GEM-BP	VOLTAGE	POWER ⁽¹⁾
12	2	AC8W 50Hz 1
24	3	AC8W 60Hz 2
		DC10W 3
		AC5.5W 50Hz 4
		AC5.5W 60Hz 5
		AC2.5W 50/60Hz 6
		DC5.5W 7
		DC3.5W 8
		2Ω LDO
		5Ω IL
		13Ω EL
		20Ω OL
		53Ω DL

Example : GEM-BP-31

GEM-SOL® GEM-BP IP68 Coil, 24V AC8W 50Hz

(1) For Latch : choose type according to which latch system you have

* To order coils manufactured according to your specific requirements, please contact our technical sales department.