

SOLENOID VALVES | GEM-SOL® | General Purpose Direct Operated

GEM-SOL® | L32 (GEM-L)

Low pressure flows 1/4"-1/2" | 2 Way NC, NO

Technical Data

Function	2 Way NC, NO
Ports size	1/4", 3/8", 1/2" BSP & NPT
Pressure range	See table
Kv (l/min)	See table
Temperature range	Fluid : -10°C to 80°C (no freezing) Ambient : -10°C to 50°C
Materials in contact with media	Main Valve: Brass Stainless Steel AISI 316 Solenoid Operator: Stainless Steel AISI 300 & 400 series Seals: NBR, FKM, EPDM
Media	Designed for use in LP gas systems. Also in air, water and vacuum systems : (high flow at low pressure)
Coil voltage	• Voltage and power consumption - see table • All Baccara coil voltages are ± 10% of nominal
Standard protection class	IP65 with connector * Option : IP68 (please refer to GEM-BP Coil)

• Latch valves are available upon request.



Brass



Stainless Steel

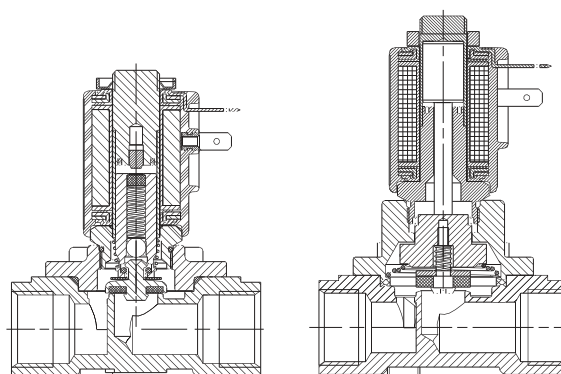
Pressure (bar) & Flow NC, NO

Size	Orifice (mm)	Pressure (bar)			Kv (l/min)
		AC	DC	NO	
1/4"	8	1.5	0.7	0.5	12
3/8"	8	1.5	0.7	0.5	16
1/2"	12	0.8	0.4	0.3	35

Voltage & Power Consumption

V	AC (W)						DC (W)		
	50 Hz			60 Hz			10	5.5	3.5
6							•		
12	•			•			•		
24	•			•			•		
48	•			•			•		
110	•			•			•		
120	•			•			•		
220	•			•			•		
230	•			•			•		
240	•			•			•		

• Available options



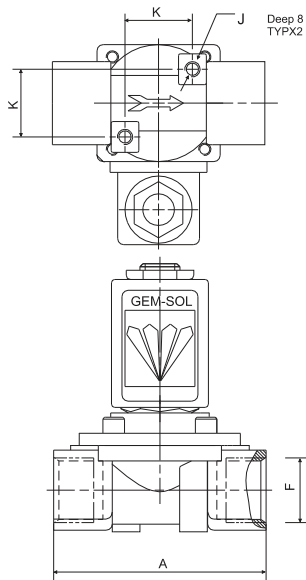
2 Way NC

2 Way NO

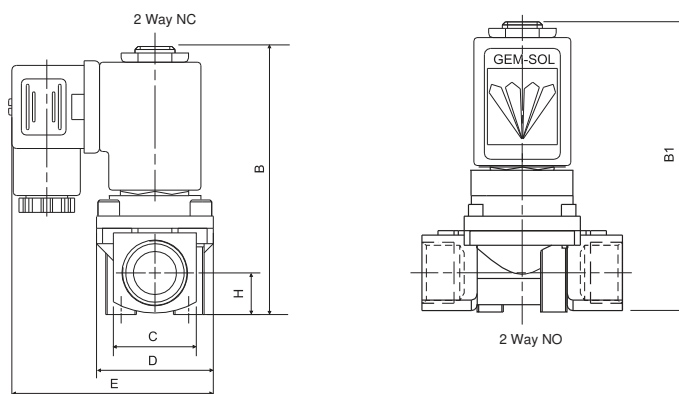
→ Flow direction

GEM-SOL® | L32 (GEM-L) | Low pressure flows 1/4"-1/2" | 2 Way NC, NO

Dimensions



Size	A	B	B1	C	D	E	F	H	J	K	Weight with coil
1/4"-3/8"	58	82	85	22	32	62	1/4"-3/8" BSP/NPT	11	M5x0.8	22	394gr
1/2"	69	85	97	27	38	65	1/2" BSP/NPT	13.5	M5x0.8	22	484gr



How to Order

* When ordering without coil, please define what current and pressure rating is needed (DC, AC)

GEM-L	BODY	PORT	FUNCTION	SEALS	VOLTAGE	POWER	CONNECTOR							
	Brass	2	1/4" BSP	20	2W NC	1	NBR	N	without coil	0	No coil	0	with	1
	Stainless Steel *	3	1/4" NPT	21	2W NO *	2	FKM	V	6 ⁽¹⁾	1	AC8W 50Hz	1	with LED	2
			3/8" BSP *	30							EPDM	E	12	2
				3/8" NPT *	31				24	3	DC10W	3	with 1/2" Hub	5
				1/2" BSP	40				48	4			with surge protection with LED *	6
				1/2" NPT	41				110	5			connector with moulded cable	7
								120	6			other	9	
								220	7A					
								230	7					
								240	8					
								Latch/other * ⁽²⁾	9					

* SPECIAL OPTIONS | Extended lead times, Non-stock items, MOQ may be applicable

Example : GEM-L-2201N-331

GEM-SOL® L32 (GEM-L) direct operated, Brass, 1/4"BSP, 2W NC, NBR seals, 24VDC 10W with connector

(1) DC only

(2) For specifying Latch type coil, please refer to A3P32 (GEM-A3P)valve - How to Order table.