

CONTROLLERS & SPECIAL VALVES



OCTOPUS™

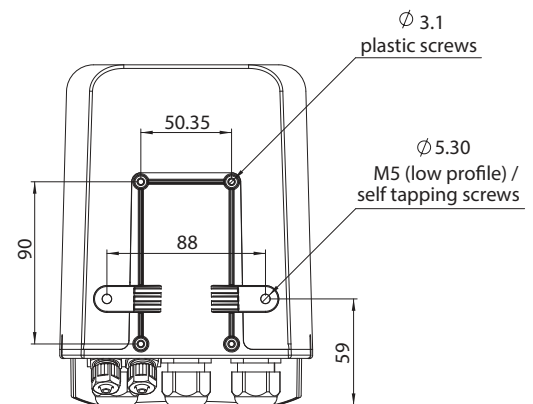
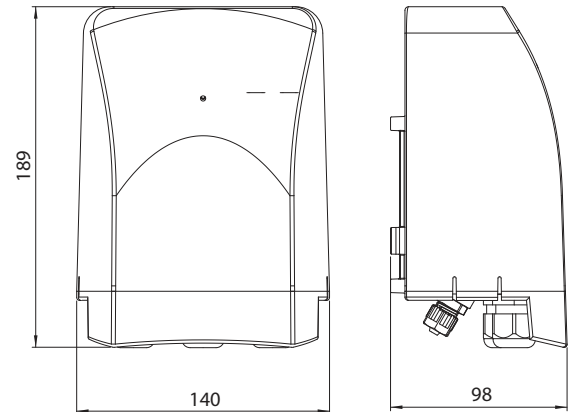
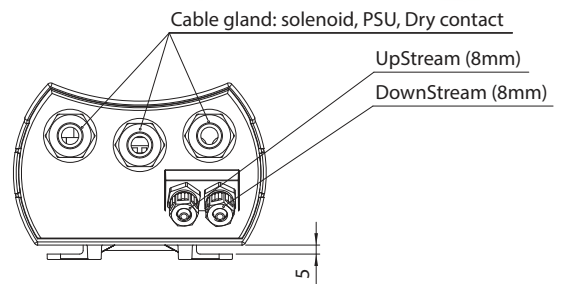
Filter Backwash Controller

- Filtration backwash controller 1+3 or 1+10 stations
- Mobile app in various languages
- Wireless operated by smartphone
- Main valve output is included
- Backwash by DP, Time interval or Manual
- Upstream & Downstream pressure sensors



Technical Data

Communication protocol	Wireless BLE
App Downloading	 
Mechanical	<ul style="list-style-type: none"> • Operating temperature: -10°C to 60°C • Outdoor UV protection • "H" proof pressure: 10 bar (145 PSI) • "H" pressure must be \geq "L" pressure
Electrical	<ul style="list-style-type: none"> • DC units are powered by 8 x C type alkaline batteries or 12V DC
Mounting	<ul style="list-style-type: none"> • Pressure ports 8mm • High pressure port is marked by the letter "H" on the housing • Wall mounting with four $\varnothing 3.5$ plastic-screws or the two M5 (low profile) self-tapping screws
Features	<ul style="list-style-type: none"> • Differential pressure up to 10 bars • Time interval • Manual operation • Alarm and backwash output for communication with irrigation controller • Data logger
Options	<ul style="list-style-type: none"> • Mounting bracket measurements upon request
Standard protection class	<ul style="list-style-type: none"> • IP65 Dust and watertight
Solenoid	G75-A 12 OHM, G75-A3P-4 OHM, G75-P-12 OHM, GEM-A3P-IL 2 wires only



How to Order

G75-Octopus	-	TYPE	Example: G75-Octopus-10
		1+3 stations	03
		1+10 stations	10

Octopus™, 10 stations + 1 Main valve



IOM OCTOPUS

* To order controllers manufactured according to your specific requirements, please contact our technical sales department

OCTOPUS™ | Filter Backwash Controller

The App

Available in 9 languages:

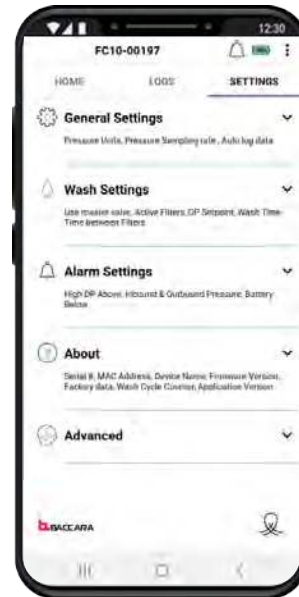
English | Arabic | French | German | Hebrew | Portuguese | Spanish | Turkish | Italian



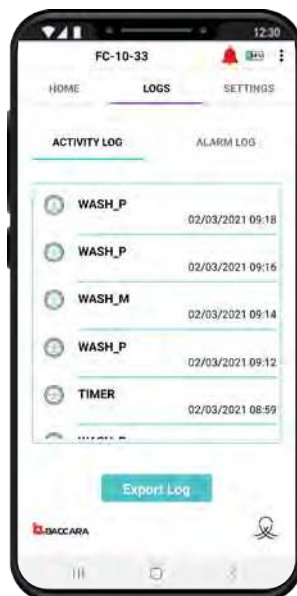
Device manager



Home screen



Settings



Activity log



Alarm log