

# Refrigeration

## GEM-SOL® | R32 (GEM-R) Special

For air conditioning systems 2 Way NC

### Technical Data

Function	2 Way NC
Orifice size	See table
Pressure range	See table
Kv (l/min)	See table
Temperature range	<b>Fluid :</b> -10°C to 80°C (no freezing) <b>Ambient :</b> -10°C to 50°C
Materials in contact with media	<b>Main Valve:</b> Brass <b>Solenoid Operator:</b> Stainless Steel AISI 300 & 400 series <b>Seals:</b> NBR for R-134a Neoprene for R12 & R22
Media	Refrigeration fluids
Coil voltage	• Voltage and power consumption - see table • All Baccara coil voltages are ± 10% of nominal
Standard protection class	IP65 with connector * Option : IP68 (please refer to GEM-BP Coil)

• ADC valves are only suitable for use with AC8W or DC10W coils.



5/8" NF O-ring

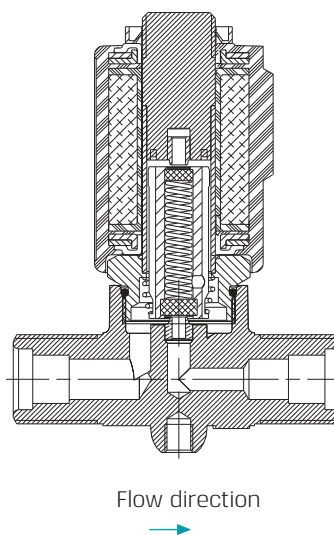
### Max. Pressure (bar) 2 Way NC

Coil Current/Power	Orifice(mm)
	2.4
AC8W, DC10W	30
Flow factor Kv(l/min)	3.5

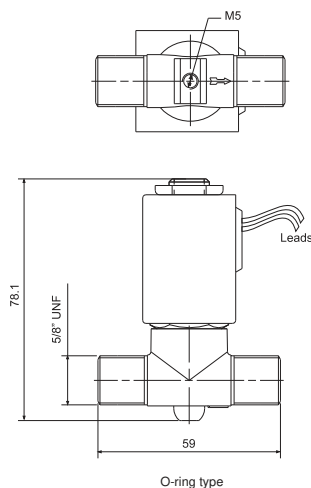
### Voltage & Power Consumption

V	AC (W)						DC (W)		
	50 Hz			60 Hz			10	5.5	3.5
6							•		
12	•			•			•		
24	•			•			•		
48	•			•			•		
110	•			•			•		
120	•			•			•		
220	•			•			•		
230	•			•			•		
240	•			•			•		

• Available options



### Dimensions



\* To order valves manufactured according to your specific requirements, please contact our technical sales department.