

SOLENOID VALVES | GEM-SOL® | General Purpose Pilot Operated

GEM-SOL® | S32 (GEM-S)

1/4"-1" | 2 Way NC, NO



Brass | 1/4"



Stainless Steel | 1/2"



Plastic | 1/2"

Technical Data

Function	2 Way NC, NO
Ports size	1/4", 3/8", 1/2" *, 3/4", 1" BSP & NPT * Plastic is only available in 1/2"
Pressure range	See table *Minimum pressure differential of 0.3 or 0.5 is required
Kv (l/min)	See table
Temperature range	Fluid : -10°C to 80°C (no freezing) * * For Plastic : 5°C to 50°C (no freezing) Ambient : -10°C to 50°C
Materials in contact with media	Manual override: Plastic - Unavailable NC - Brass screw NOa* - Unavailable *pressure is supplied through the base Main Valve: Brass, Stainless Steel AISI 316, Plastic (Reinforced Nylon) Solenoid Operator: Stainless Steel AISI 300 & 400 series Seals: NBR, FKM, EPDM
Coil voltage	• Voltage and power consumption - see table • All Baccara coil voltages are ± 10% of nominal
Standard protection class	IP65 with connector * Option : IP68 (please refer to GEM-BP Coil)

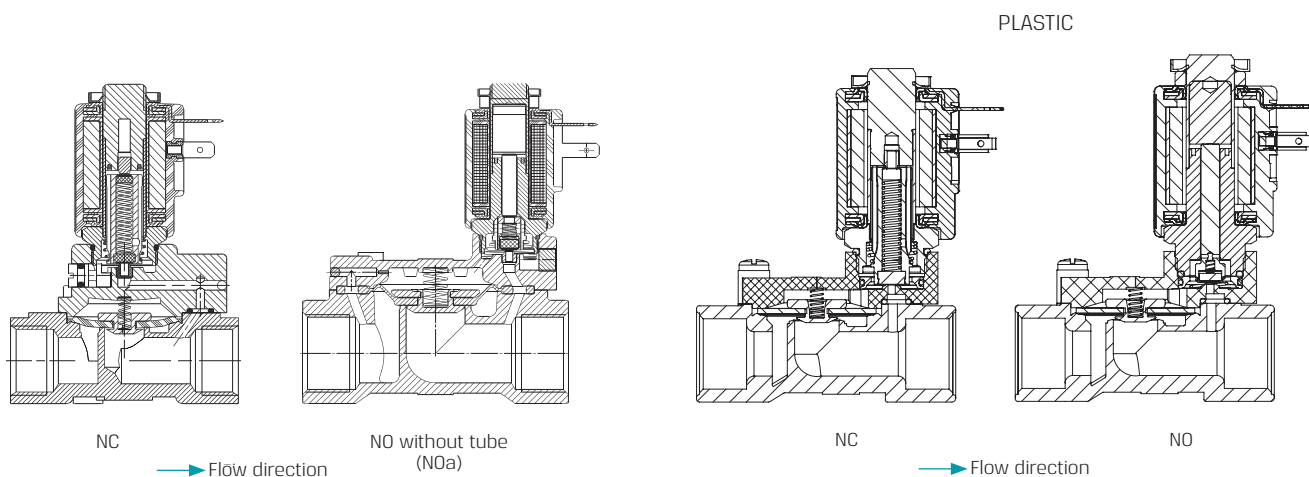
- Slow closing system to prevent water hammer effect

Voltage & Power Consumption

V	AC (W)						DC (W)		
	50 Hz			60 Hz			10	5.5	3.5
6							•		
12	•			•			•		
24	•	•*		•			•		
48	•			•			•		
110	•			•			•		
120	•			•	•*				
220	•	•*		•			•		
230	•			•	•*				
240	•			•			•		

- Available options
- * Only for NC

GEM-SOL® | S32 (GEM-S) | 1/4"-1" | 2 Way NC, NO



Pressure (bar) & Flow NO/NC GEM-S-□-20...41

Size	Orifice (mm)	Pressure (bar)		Kv (l/min)
		AC, DC	ADC	
1/4"	8	0.5 to 20	0.5 to 15	12
3/8"	8			16
1/2"	12			35

Pressure (bar) & Flow NO/NC GEM-S-□-40 & 41 | Plastic

Size	Orifice (mm)	Pressure (bar)	Kv (l/min)
		AC, DC	
1/2"	12	0.5 to 12	35

Pressure (bar) & Flow NO/NC GEM-S-□-□r

Size	Orifice (mm)	Pressure (bar)		Kv (l/min)
		AC, DC	ADC	
1/2"	16	0.5 to 20	0.5 to 15	60

Pressure (bar) & Flow NO/NC GEM-S-□-50...60

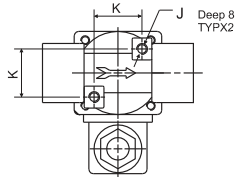
Size	Orifice (mm)	Pressure range (bar)	Kv (l/min)
		AC, DC & ADC	
3/4"	20	0.3 to 15	130
1"	25	0.5 to 15	200

SOLENOID VALVES | GEM-SOL® | General Purpose

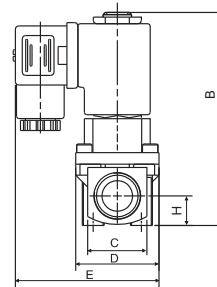
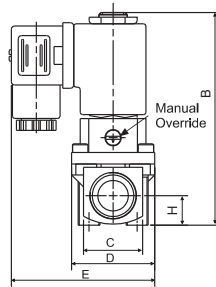
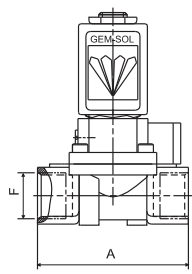
Pilot Operated

GEM-SOL® | S32 (GEM-S) | 1/4"-1" | 2 Way NC, NO

Dimensions



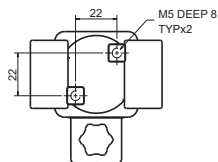
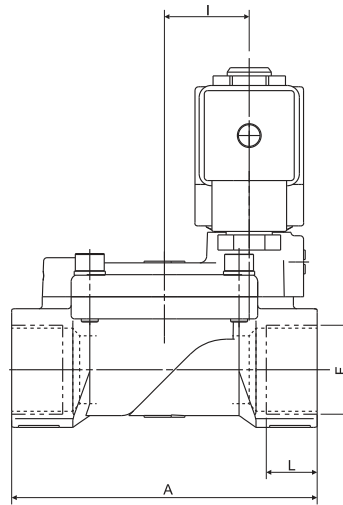
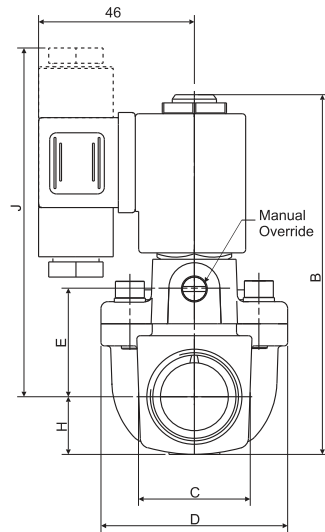
Size	A	B	C	D	E	F	H	J	K	Weight with coil
1/4"-3/8"	58	89	22	32	62	1/4"-3/8" BSP/NPT	11	M5x0.8	22	466gr
1/2"	70	95	27	38	70	1/2" BSP/NPT	13.5	M5x0.8	22	562gr



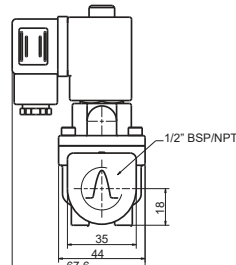
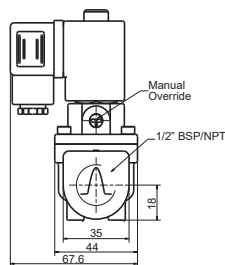
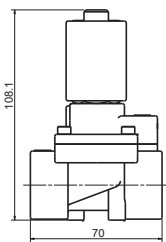
NC

NOa

Size	A	B	C	D	E	H	L	I	J
3/4" BSP/NPT	90	106	32	55	32	17	15	25	103
1" BSP/NPT	100	112.5	38.5	65	34	21	16	29.5	109.5



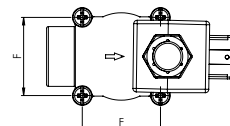
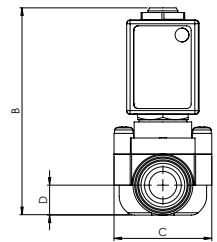
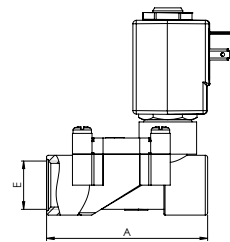
GEM-S-4□r (16 mm orifice)



NC

NOa

Plastic 1/2"



Function	A	B	C	D	E	F
NC	70	90	42.5	13	1/2"	34
NO	70	93.4	42.5	13	1/2"	34

GEM-SOL® | S32 (GEM-S) | 1/4"-1" | 2 Way NC, NO

How to Order

GEM-S	BODY	PORT	FUNCTION	SEALS	MANUAL OVERRIDE ⁽⁴⁾	VOLTAGE	POWER	CONNECTOR	
	Brass	2 1/4" BSP	20 2W NC	1 NBR N	None * 0	without coil	0 No coil	0 with	1
	Stainless Steel	3 1/4" NPT	21 2W NO ⁽²⁾ through base	2a FKM * ⁽³⁾ V	Slot 2	6 ⁽⁵⁾	1 AC8W 50Hz	1 with LED	2
	Plastic ⁽¹⁾ *	4 3/8" BSP	30	EPDM E	Knob * 3	12	2 AC8W 60Hz	2 flying leads coil *	4
		3/8" NPT	31			24	3 DC10W	3 with 1/2" Hub	5
		1/2" BSP	40			48	4 AC5.5W 50Hz ⁽⁷⁾	4 surge protection with LED *	6
		1/2" NPT	41			110	5 AC5.5W 60Hz ⁽⁷⁾	5 connector with moulded cable	7
		3/4" BSP	50			120	6	other	9
		3/4" NPT	51			220	7A		
		1" BSP	60			230	7		
		1" NPT	61			240	8		
									Latch/other * ⁽⁶⁾ 9

* **SPECIAL OPTIONS** | Extended lead times, Non-stock items, MOQ may be applicable

Example : GEM-S-2202aNO-321

GEM-SOL® S32 (GEM-S) pilot operated, Brass, 1/4" BSP, 2W NO through base, NBR seals, no manual override, 24V AC8W 60Hz with connector

(1) Plastic is only available in 1/2"

(2) Manual Override unavailable

(3) For Metal : 3/4" and 1" | Plastic : 1/2"

(4) Unavailable in Plastic

(5) DC only

(6) For specifying Latch type coil, please refer to A3P32 (GEM-A3P)valve - How to Order table

(7) Only for NC

* **Note:** When ordering without coil, please define what current and pressure rating is needed (DC, AC or ADC), otherwise an ADC valve will be supplied. For Plastic, please define either DC or AC.

How to Order

GEM-S	BODY	PORT	FUNCTION	SEALS	MANUAL OVERRIDE	VOLTAGE	POWER	CONNECTOR	
	Brass	2 1/2" BSP *	40r 2W NC	1 NBR N	None * 0	without coil	0 No coil	0 with	1
		1/2" NPT *	41r 2W NO ⁽¹⁾ through base	2a FKM V	Slot 2	6 ⁽²⁾	1 AC8W 50Hz	1 with LED	2
				EPDM E	Knob * 3	12	2 AC8W 60Hz	2 flying leads coil *	4
						24	3 DC10W	3 with 1/2" Hub	5
						48	4 AC5.5W 50Hz ⁽⁴⁾	4 surge protection with LED *	6
						110	5 AC5.5W 60Hz ⁽⁴⁾	5 connector with moulded cable	7
						120	6	other	9
						220	7A		
						230	7		
						240	8		
									Latch/other * ⁽³⁾ 9

* **SPECIAL OPTIONS** | Extended lead times, Non-stock items, MOQ may be applicable

Example : GEM-S-240r1N2-321 (16mm orifice size)

GEM-SOL® S32 (GEM-S) pilot operated, Brass, 1/2" BSP, 2W NC, NBR seals, slot manual override, 24V AC8W 60Hz with connector

(1) Manual Override unavailable

(2) DC only

(3) For specifying Latch type coil, please refer to A3P32 (GEM-A3P)valve - How to Order table

(4) Only for NC

* **Note:** When ordering without coil, please define what current and pressure rating is needed (DC, AC or ADC), otherwise an ADC valve will be supplied.

* To order valves manufactured according to your specific requirements, please contact our technical sales department.