

CONTROLLERS & SPECIAL VALVES



ii.ri-C-VSA

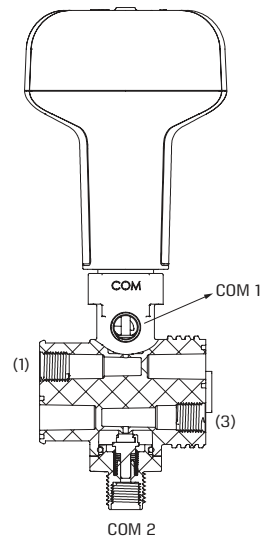
Smart Irrigation Controller 3 Way



- Single station Irrigation Controller
- Wireless operated by smart device
- Four irrigation program types
- Minimum required iOS 7 or Android V4.3
- Battery included

Technical Data

Function	3 Way Latch
Pressure range	0 to 8 bar
Temperature range	Fluid: 5° to 50°C (no freezing) Ambient: -5° to 50°C
Communication protocol	Wireless BLE
App Downloading	 
Pairing code	Not required
Communication range	Up to 10 m (32.8 feet)
Battery type	CR123
Mounting	Direct mounting on UNEF 3/4"
Standard / Certification	<ul style="list-style-type: none"> • CE • Federal Communications Commission (FCC) • EN55011 Group1 - Class A / EN61000-6-1/ CFR 47 FCC Class A EMC- SII Certificate of Conformity
Standard protection class	• Dust and watertight IP68



Programming Key Features

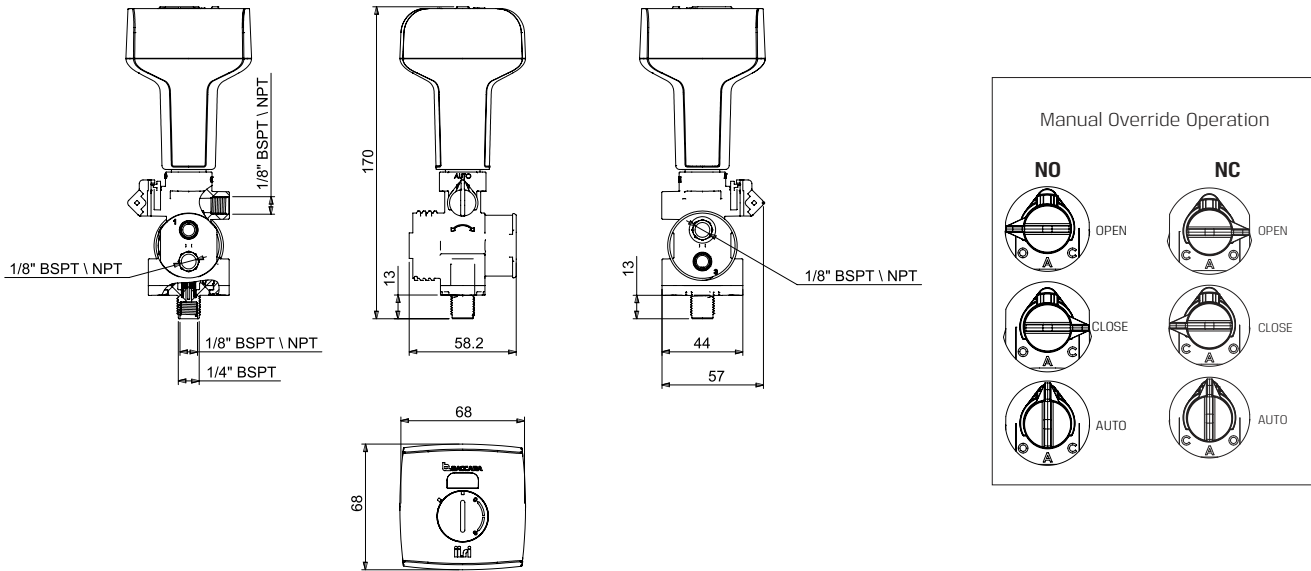
Four different irrigation plans

Weekly	Interval Days	Even / Odd Days	Window
Irrigation each day of the week	Periodical days up to 98 periods	Even / odd calendar dates	Repeated cycles within a defined time frame
Set up to 6 cycles per day			Set cycle On and Off duration
Option to set different irrigation durations per cycle			Set start and end times for irrigation

PORT	NO	NC
1	Exhaust	Pressure
3	Pressure	Exhaust
COM	Out	Out

ii.ri-C-VSA | Smart Irrigation Controller 3 Way

Dimensions



How to Order

ii.ri-C-VSA -	BODY	PORT	FUNCTION	SEALS
	Plastic	4	1/8" BSP 10	3W NC 3 EPDM E
			1/8" NPT 11	3W NO 4

Example: ii.ri-C-VSA-4103E
 ii.ri smart irrigation controller with 1/8" BSP valve, 3W NC, EPDM seals

* To order controllers manufactured according to your specific requirements, please contact our technical sales department