

SOLENOID VALVES | GEM-SOL® | General Purpose

Direct Operated

GEM-SOL® | A32 (GEM-A)

1/8", 1/4" | 2 Way NC, NO

Technical Data

Function	2 Way NC, NO
Ports size	1/8" and 1/4" BSP & NPT
Orifice size	See table
Pressure range	<ul style="list-style-type: none"> • See table • Valves for pressure higher than 25 bar cannot be supplied with manual override
Kv (l/min)	See table
Temperature range	Fluid : -10°C to 80°C (no freezing) Ambient : -10°C to 50°C
Materials in contact with media	Manual override: Plastic (Reinforced Nylon), Brass screw or finger knob, Stainless Steel for Stainless Steel valves (1) Plastic manual override : Maximum pressure : 16 bar (2) Manual override is unavailable in 2W NO through base applications Main Valve: Brass or Stainless Steel AISI 316 Solenoid Operator: Stainless Steel AISI 300 & 400 series Seals: NBR, FKM, EPDM, FFKM, PTFE
Media	Air, water, oil
Coil voltage	<ul style="list-style-type: none"> • Voltage and power consumption - see table • All Baccara coil voltages are ± 10% of nominal
Standard protection class	IP65 with connector * Option : IP68 (please refer to GEM-BP Coil)

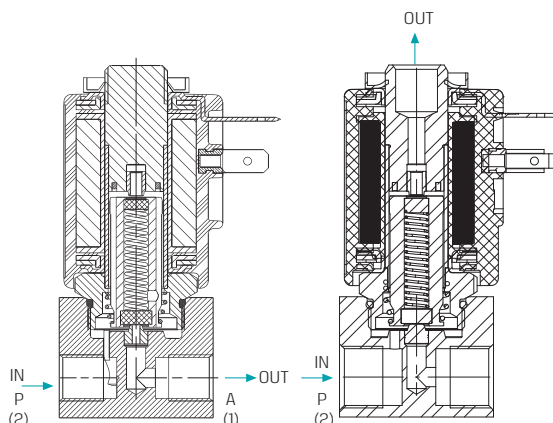
- Latch valves are available upon request
- Available with manifold bracket upon request. Please contact our technical sales department.



Stainless Steel



Brass



2 Way NC

2 Way NO

Max. Pressure (bar) 2 Way NC

Coil Current/Power	Orifice (mm)						
	0.8	1.2	1.6	2.0	2.4	3.0	4.0
ADC *	60	50	35	20	15	10	5
AC8W/DC10W	80	80	60	38	30	18	10
AC5.5W	80	60	40	28	20	15	6
AC2.5W	60	50	35	20	15	9	5
DC5.5W	60	30	18	12	9	6	3
DC3.5W	40	20	12	8	6	4	2
Flow factor Kv(l/min)	0.5	1.1	1.7	2.5	3.5	4.5	5

Max. Pressure (bar) 2 Way NO

Coil Current/Power	Orifice (mm)					
	0.8	1.2	1.6	2.0	2.4	3.0
ADC *	25	25	25	20	15	10
Flow factor Kv(l/min)	0.5	1.1	1.4	2.5	3.0	3.5

* ADC valves are only suitable for use with AC8W or DC10W coils

Voltage & Power Consumption

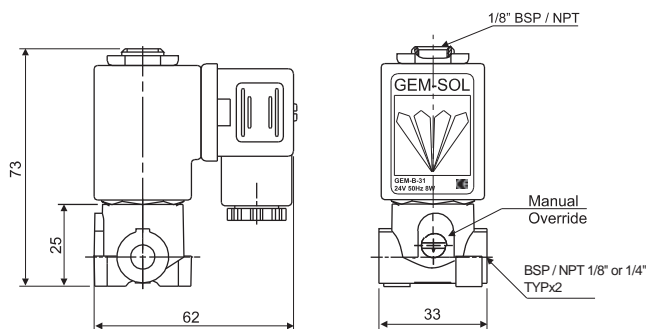
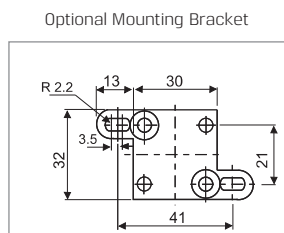
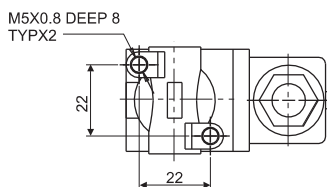
V	AC (W)						DC (W)		
	50 Hz			60 Hz			10	5.5	3.5
6							•	•	•
12	•			•			•	•	•
24	•	•		•	•		•	•	•
48	•			•			•		
110	•			•	•		•		
120	•			•	•				
220	•	•		•			•		
230	•	•		•	•				
240	•			•			•		

Available options

- Standard
- Special

GEM-SOL® | A32 (GEM-A) | 1/8", 1/4" | 2 Way NC, NO

Dimensions



How to Order

* For available options, please refer to **VOLTAGE & POWER CONSUMPTION** table

GEM-A	BODY	PORT	FUNCTION	ORIFICE	SEALS	MANUAL OVERRIDE	VOLTAGE	POWER	CONNECTOR					
Brass	2	1/8" BSP	10 2W NC	1 0.8	1 NBR	N	None	0	without coil	0	No coil	0	with	1
SST	3	1/8" NPT	11 2W NO *	2 1.2	2 FKM *	V	Plastic * (3)	1	6 (4)	1	AC8W 50Hz	1	with LED	2
		1/4" BSP	20 2WNO-through base (1)	2a 1.6	3 EPDM	E	Slot	2	12	2	AC8W 60Hz	2	flying leads coil *	4
		1/4" NPT	21	2.0	4 FFKM *(2)	K	Knob *	3	24	3	DC 10W	3	with 1/2" Hub	5
				2.4	5 PTFE *	T			48	4	AC 5.5W 50Hz	4	surge protection with LED *	6
				3.0 *	6				110	5	AC 5.5W 60Hz	5	connector with moulded cable	7
				4.0 *	7				120	6	AC 2.5W 50/60Hz	6	other *	9
									220	7A	DC 5.5W	7		
									230	7	DC 3.5W	8		
									240	8				
									Latch/other * (5)	9				

* **SPECIAL OPTIONS** | Extended lead times, Non-stock items, MOQ may be applicable

Example : GEM-A-21015N2-331

GEM-SOL® A32 (GEM-A) direct operated, Brass, 1/8"BSP, 2W NC, 2.4 orifice, NBR, slot manual override, 24VDC 10W with connector

- (1) Option 2a : manual override is not available
- (2) FFKM O-ring is available only upon request. When ordering FFKM seals, please consult with our technical sales department about O-ring compound
- (3) Maximum pressure : 16 bar
- (4) DC only
- (5) For specifying Latch type coil, please refer to A3P32 (GEM-A3P) valve - How to Order table

* **Note:** When ordering without coil, please define what current and pressure rating is needed (DC, AC or ADC), otherwise an ADC valve will be supplied

* To order valves manufactured according to your specific requirements, please contact our technical sales department.

SOLENOID VALVES | GEM-SOL® | General Purpose

Direct Operated

GEM-SOL® | A32 (GEM-A)

1/8", 1/4" | 3 Way NC, NO

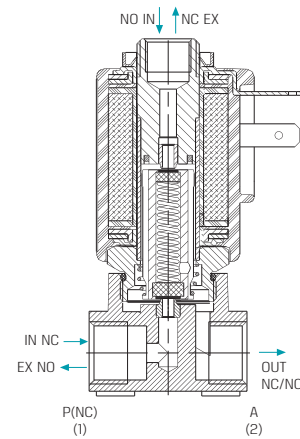
Technical Data

Function	3 Way NC, NO
Ports size	1/8" and 1/4" BSP & NPT
Orifice size	See table
Pressure range	<ul style="list-style-type: none"> • See table • Valves for pressure higher than 25 bar cannot be supplied with manual override
Kv (l/min)	See table
Temperature range	Fluid : -10°C to 80°C (no freezing) Ambient : -10°C to 50°C
Materials in contact with media	Manual override: Plastic (Reinforced Nylon), Brass screw or finger knob, Stainless Steel for Stainless Steel valves (1) Plastic manual override : Maximum pressure : 16 bar (2) Manual override is unavailable in 3 Way NO through base applications Main Valve: Brass or Stainless Steel AISI 316 Solenoid Operator: Stainless Steel AISI 300 & 400 series Seals: NBR, FKM, EPDM, FFKM, PTFE
Media	Air, water, oil
Coil voltage	<ul style="list-style-type: none"> • Voltage and power consumption - see table • All Baccara coil voltages are ± 10% of nominal
Standard protection class	IP65 with connector * Option : IP68 (please refer to GEM-BP Coil)



Stainless Steel

Brass



- Latch valves are available upon request
- Available with manifold bracket upon request. Please contact our technical sales department.

Max. Pressure (bar) 3 Way NC

Coil Current/Power	Orifice (mm)					
	0.8	1.2	1.6	2.0	2.4	3.0
ADC *	23	20	15	10	8	5.5
AC8W, DC10W	35	30	17	14	10	6
AC5.5W	23	20	15	10	8	5.5
AC2.5W DC5.5W DC3.5W	20	16	10	9	5	4
Flow factor Kv(l/min)	0.6	1.1	1.7	2.5	3.5	4.5

Max. Pressure (bar) 3 Way NO

Coil Current/Power	Orifice (mm)					
	0.8	1.2	1.6	2.0	2.4	3.0
ADC *	25	20	15	11	8	6
AC/8W DC/10W	30	22	17	12	10	7
AC/5.5W,DC/5.5W	25	20	15	11	8	6
AC/2.5W,DC/3.5W	20	18	12	8	6	4
Flow factor Kv(l/min)	0.6	1	1.4	2.2	3.0	3.5

* ADC valves are only suitable for use with AC8W or DC10W coils.

Voltage & Power Consumption

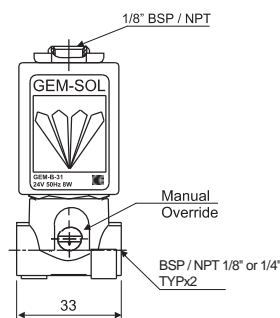
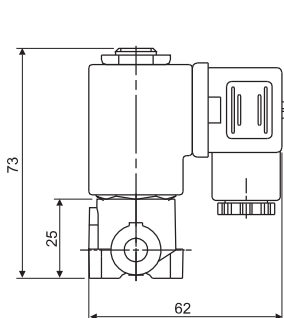
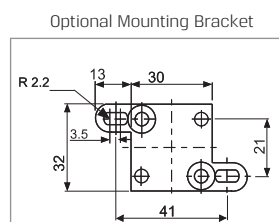
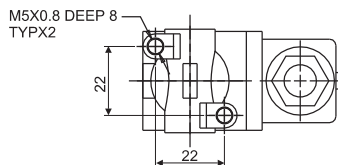
V	AC (W)						DC (W)		
	50 Hz			60 Hz			10	5.5	3.5
6							•	•	•
12	•			•			•	•	•
24	•	•	•	•	•	•	•	•	•
48	•			•			•		
110	•			•	•		•		
120	•			•	•				
220	•	•	•	•			•		
230	•	•		•	•				
240	•			•			•		

Available options

- Standard
- Special

GEM-SOL® | A32 (GEM-A) | 1/8", 1/4" | 3 Way NC, NO

Dimensions



How to Order

* For available options, please refer to VOLTAGE & POWER CONSUMPTION table

GEM-A	BODY	PORT	FUNCTION	ORIFICE	SEALS	MANUAL OVERRIDE	VOLTAGE	POWER	CONNECTOR				
Brass	2	1/8" BSP	10	3W NC	3	0.8 1 NBR N None	0	without coil	0	No coil	0	with	1
SST	3	1/8" NPT	11	3W NO *	4	1.2 2 FKM * V Plastic * (3)	1	6 (4)	1	AC8W 50Hz	1	with LED	2
		1/4" BSP	20	3WNO (1) through base*	4a	1.6 3 EPDM E Slot	2	12	2	AC8W 60Hz	2	flying leads coil *	4
		1/4" NPT	21			2.0 4 FFKM *(2) K Knob *	3	24	3	DC 10W	3	with 1/2" Hub	5
						2.4 5 PTFE * T		48	4	AC 5.5W 50Hz	4	surge protection with LED *	6
						3.0 * 6		110	5	AC 5.5W 60Hz	5	connector with moulded cable	7
								120	6	AC 2.5W 50/60Hz	6	other *	9
								220	7A	DC 5.5W	7		
								230	7	DC 3.5W	8		
								240	8				
								Latch/other * (5)	9				

* **SPECIAL OPTIONS** | Extended lead times, Non-stock items, MOQ may be applicable

Example : GEM-A-21035N2-331

GEM-SOL® A32 (GEM-A) direct operated, Brass, 1/8" BSP, 3W NC, 2.4 orifice, NBR, slot manual override, 24VDC 10W with connector

(1) Option 4a : manual override is not available

(2) FFKM O-ring is available only upon request. When ordering FFKM seals, please consult with our technical sales department about O-ring compound

(3) Maximum pressure : 16 bar

(4) DC only

(5) For specifying Latch type coil, please refer to A3P32 (GEM-A3P) valve - How to Order table

* **Note: When ordering without coil, please define what current and pressure rating is needed (DC, AC or ADC), otherwise an ADC valve will be supplied**

* To order valves manufactured according to your specific requirements, please contact our technical sales department.