

GEM-FLOW™ | G75-S & G75-S2

Hydraulic 2 Way | G75-S: 3/4"-1" | G75-S2: 1-1/2"-2"

Technical Data

| | |
|---------------------------------|---|
| Function | 2 Way |
| Ports size | 3/4", 1", 1-1/2", 2" BSPT & NPT |
| Pressure range | 0.3 to 10bar |
| Temperature range | Fluid: 5°C to 50°C (no freezing) |
| Materials in contact with media | Main Valve: Plastic (Reinforced Nylon) Diaphragm: NR : 3/4", 1" EPDM : 1-1/2", 2" Seals: Buna - N Spring: Stainless Steel AISI 300 series |

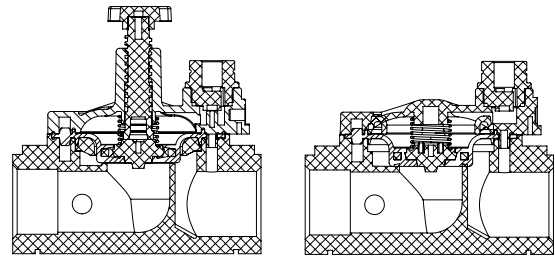
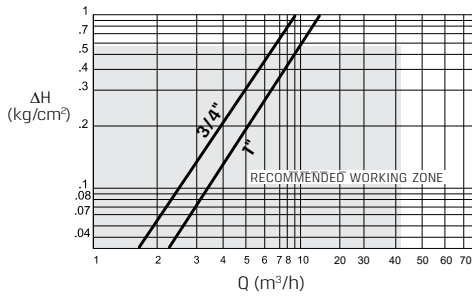


3/4"- 1"
with flow control



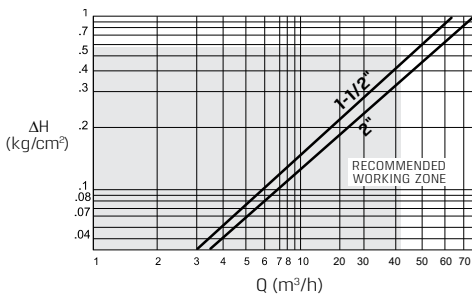
1-1/2"- 2"
with flow control

Head Loss for Fully Open Valve



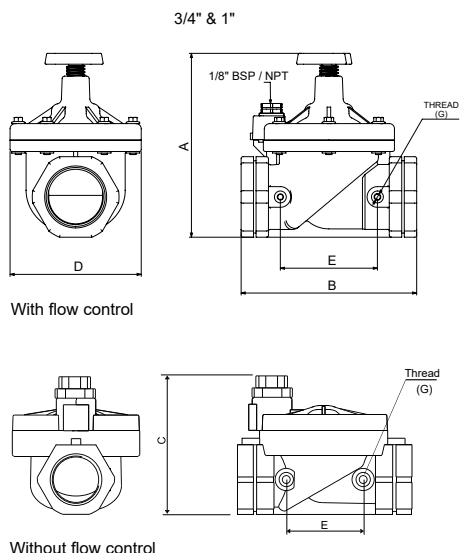
Flow direction →
with flow control without flow control

Head Loss for Fully Open Valve

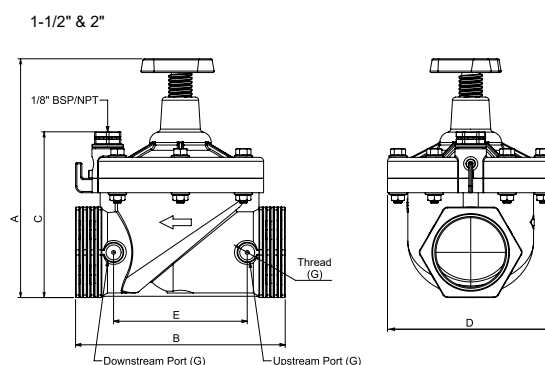


GEM-FLOW™ | G75-S & G75-S2 | Hydraulic 2 Way | G75-S: 3/4"-1" | G75-S2: 1-1/2"-2"

Dimensions



| Size | A | B | C | D | E | ØG | Weight (gr.) |
|--------|-----|-----|-----|-----|------|--------------|--------------|
| 3/4" | 105 | 110 | 77 | 81 | 52.5 | 1/8"NPT/BSP | 230 |
| 1" | 112 | 110 | 84 | 81 | 48.5 | 1/8"NPT/BSP | 230 |
| 1-1/2" | 177 | 145 | 121 | 127 | 89 | 1/4"NPT/BSP | 780 |
| 2" | 182 | 160 | 127 | 127 | 102 | 1/48"NPT/BSP | 790 |



How to Order

| G75-S | - | PORT | | FUNCTION INLINE PILOT PORTS | | FLOW CONTROL | |
|-------|---|-----------|----|-----------------------------|---|------------------------|---|
| | | | | | | | |
| | | 3/4" BSPT | 50 | none | 0 | with | 5 |
| | | 3/4" NPT | 51 | upstream only | 1 | without ⁽¹⁾ | 6 |
| | | 1" BSPT | 60 | downstream only | 2 | | |
| | | 1" NPT | 61 | both | 3 | | |

Example: G75-S-5015

GEM-FLOW™ G75-S Hydraulic valve, 3/4" BSPT, 1/8" upstream inline pilot port, with flow control

| G75-S2 | - | PORT | | FUNCTION INLINE PILOT PORTS | | FLOW CONTROL | |
|--------|---|-------------|----|-----------------------------|---|--------------|---|
| | | | | | | | |
| | | 1-1/2" BSPT | 70 | none | 0 | with | 5 |
| | | 1-1/2" NPT | 71 | upstream only | 1 | | |
| | | 2" BSPT | 80 | downstream only | 2 | | |
| | | 2" NPT | 81 | both | 3 | | |

Example: G75-S2-7015

GEM-FLOW™ G75-S2 Hydraulic valve, 1-1/2" BSPT, 1/8" upstream inline pilot port, with flow control

* To order valves manufactured according to your specific requirements, please contact our technical sales department