

SOLENOID VALVES | GEM-SOL® | General Purpose

Direct Operated

GEM-SOL® | A22 (G80-A)

2 Way NC, NO

Technical Data

Function	2 Way NC, NO
Ports size	1/8" BSP, NPT, M5
Orifice size	See table
Pressure range	<ul style="list-style-type: none"> • See table • Valves for pressure higher than 12 bar cannot be supplied with manual override
Kv (l/min)	See table
Temperature range	Fluid : -10°C to 80°C (no freezing) Ambient : -10°C to 50°C
Materials in contact with media	Main Valve: Aluminium, Stainless Steel AISI 316, Brass Solenoid Operator * Stainless Steel AISI 300 & 400 series, Brass * Standard operators are Stainless Steel Seals: NBR, FKM, EPDM, FFKM
Media	Air, water, oil
Coil voltage	<ul style="list-style-type: none"> • Voltage and power consumption - see table • All Baccara coil voltages are ± 10% of nominal
Standard protection class	IP65 with connector



Brass

Stainless Steel



Aluminium

Max. Pressure (bar) 2 Way NC

Coil Current/Power	Orifice (mm)				
	1.0	1.2	1.6	2.0	2.4
AC - 75W	40	35	35	12	10
AC - 5W	40	30	15	8	6
DC - 6W	40	35	20	12	10
DC - 3W	40	30	15	5	4
Flow factor Kv(l/min)	0.5	0.65	1.2	1.6	2

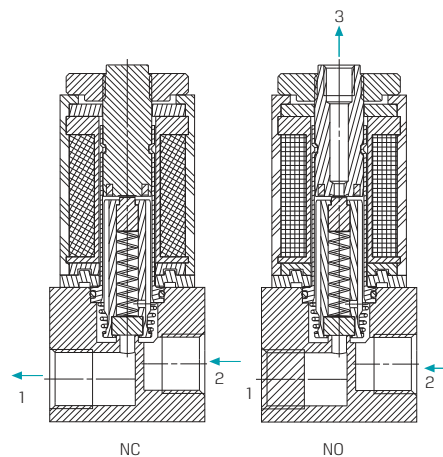
Max. Pressure (bar) 2 Way NO

Coil Current/Power	Orifice (mm)	
	1.2	1.6
AC - 5W	15	10
DC - 3W	15	10
Flow factor Kv(l/min)	0.4	0.7

Voltage & Power Consumption

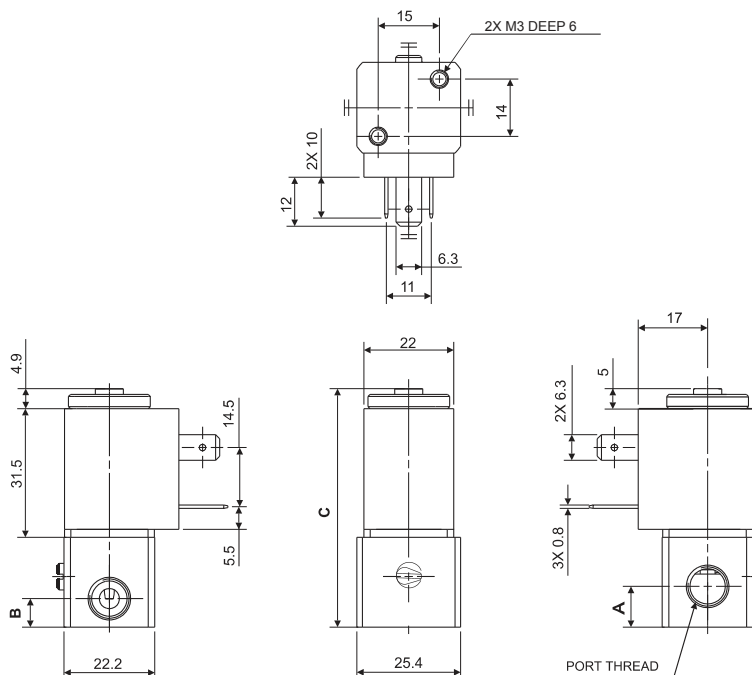
V	AC (W)				DC (W)	
	50 Hz		60 Hz			
7.5	7.5	5	6	3	6	3
6					•	•
12	•	•	•	•	•	•
24	•	•	•	•	•	•
110	•	•	•	•		
230	•	•	•	•		

• Available options



GEM-SOL® | A22 (G80-A) | 2 Way NC, NO

Dimensions



Port thread	A	B	C
M5	5.5	4	51.5
1/8"	10	7	58.5

How to Order

* When ordering without coil, please define what current and pressure rating is needed (DC, AC)

G80-A	BODY ⁽¹⁾	PORT	FUNCTION	ORIFICE	SEALS	MANUAL OVERRIDE	VOLTAGE		POWER		CONNECTOR			
	Aluminium *	1 M5 *	00	2W NC 1	1.0 1	NBR N	None	0	without coil	0	No coil	0	with	1
	Brass	2 1/8" BSP	10	2W NO 2	1.2 2	FKM V			6 ⁽⁴⁾	1	AC75W 50Hz	1	flying leads coil *	4
	Stainless Steel	3 1/8" NPT	11		1.6 3	EPDM E			12	2	AC6W 60Hz	2		
					2.0 ⁽²⁾ 4	FFKM* ⁽³⁾ K			24	3	DC6W	3		
					2.4 ⁽²⁾ 5				110	5	AC5W 50Hz	4		
									230	7	AC3W 60Hz	5		
									other	9	DC3W	7		

* SPECIAL OPTIONS | Extended lead times, Non-stock items, MOQ may be applicable

Example : G80-A-21011V0-321

GEM-SOL® A22 (G80-A) direct operated, Brass, 1/8", 2W NC, 1.0mm orifice, FKM, no manual override, 24VAC 6W 60Hz, with connector.

(1) For Stainless Steel tube, add "s": e.g A22-□s.....

(2) NC only

(3) FFKM O-ring is available only upon request. When ordering FFKM seals, please consult with our technical sales department about O-ring compound

(4) DC only

* To order valves manufactured according to your specific requirements, please contact our technical sales department.

SOLENOID VALVES | GEM-SOL® | General Purpose

Direct Operated

GEM-SOL® | A22 (G80-A)

3 Way NC, NO

Technical Data

Function	3 Way NC, NO
Ports size	1/8" BSP, NPT, M5,
Orifice size	See table
Pressure range	<ul style="list-style-type: none"> • See table • Valves for pressure higher than 12 bar cannot be supplied with manual override
Kv (l/min)	See table
Temperature range	Fluid : -10°C to 80°C (no freezing) Ambient : -10°C to 50°C
Materials in contact with media	Main Valve: Aluminium, Stainless Steel AISI 316, Brass Solenoid Operator* Stainless Steel AISI 300 & 400 series, Brass * Standard operators are Stainless Steel Seals: NBR, FKM, EPDM
Media	Air, water, oil
Coil voltage	<ul style="list-style-type: none"> • Voltage and power consumption - see table • All Baccara coil voltages are ± 10% of nominal
Standard protection class	IP65 with connector



Brass



Stainless Steel



Aluminium

Max. Pressure (bar) 3 Way NC

Coil Current/Power	Orifice (mm)		
	1.0	1.2	1.6
AC - 7.5W	15	12	10.5
AC - 5W	12	10	7
DC - 6W	15	12	10.5
DC - 3W	12	10	7
Flow factor Kv(l/min)	0.5	0.65	1

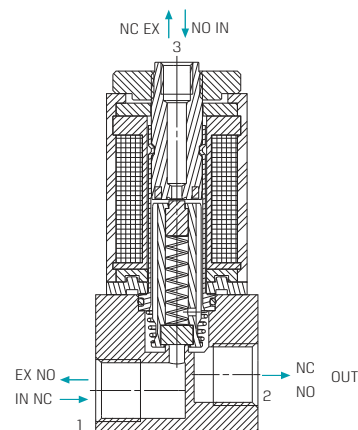
Max. Pressure (bar) 3 Way NO

Coil Current/Power	Orifice(mm)	
	1.2	1.6
AC - 7.5W	12	8
AC - 5W	10	7
DC - 6W	12	8
DC - 3W	10	6
Flow factor Kv(l/min)	0.4	0.7

Voltage & Power Consumption

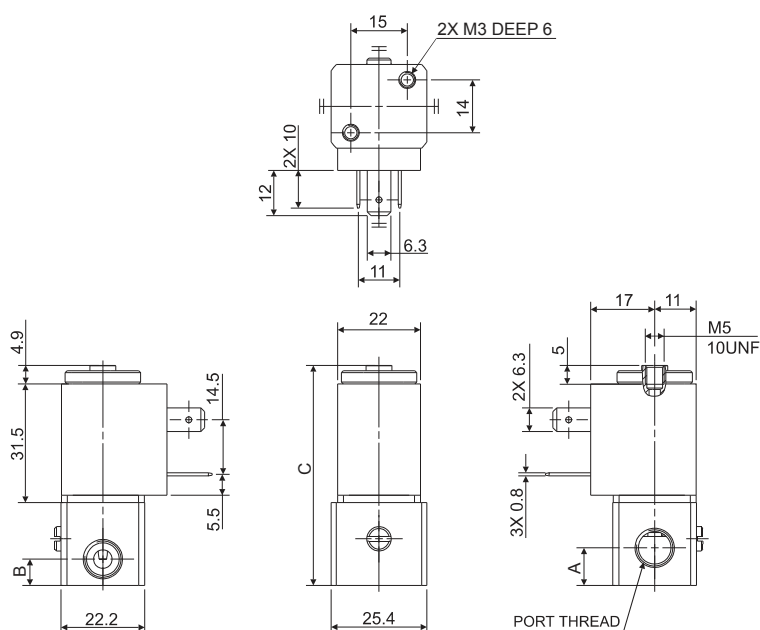
	AC (W)				DC (W)	
	50 Hz		60 Hz		6	3
V	7.5	5	6	3	6	3
6					•	•
12	•	•	•	•	•	•
24	•	•	•	•	•	•
110	•	•	•	•		
230	•	•	•	•		

• Available options



GEM-SOL® | A22 (G80-A) | 3 Way NC, NO

Dimensions



Port thread	A	B	C
M5	5.5	4	51.5
1/8"	10	7	58.5

How to Order

* When ordering without coil, please define what current and pressure rating is needed (DC, AC)

G80-A	BODY ⁽¹⁾	PORT	FUNCTION	ORIFICE	SEALS	MANUAL OVERRIDE	VOLTAGE		POWER		CONNECTOR			
	Aluminium *	1 M5 *	00	3W NC 3	1.0 1	NBR N	None	0	without coil	0	No coil	0	with	1
	Brass	2 1/8" BSP	10	3W NO 4	1.2 2	FKM V			6 ⁽²⁾	1	AC75W 50Hz	1	flying leads coil *	4
	Stainless Steel	3 1/8" NPT	11		1.6 3	EPDM E			12	2	AC6W 60Hz	2		
									24	3	DC6W	3		
									110	5	AC5W 50Hz	4		
									230	7	AC3W 60Hz	5		
									other	9	DC3W	7		
											Latch * ⁽³⁾	L		

* **SPECIAL OPTIONS** | Extended lead times, Non-stock items, MOQ may be applicable

Example : G80-A-21032V0-231

GEM-SOL® A22 (G80-A) direct operated, Brass, 1/8" BSP, 3W NC, 1.2 orifice, FKM, no manual override, 12VDC 6W with connector

(1) For Stainless Steel tube add "s" : e.g **A22-□s.....**

(2) DC only

(3) When ordering a latch valve, please contact our technical sales department