

# SOLENOID VALVES | GEM-SOL® | Special Purpose Isolated

## GEM-SOL® | C32 (GEM-C)

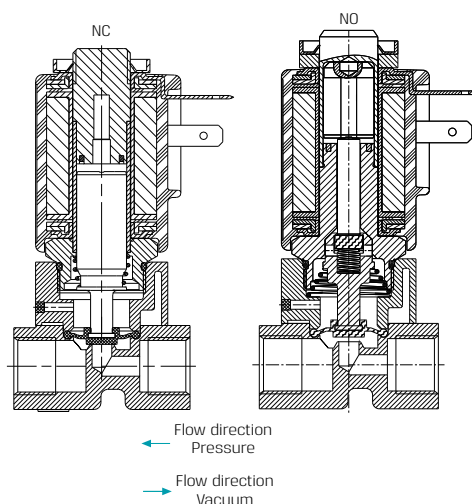
### Chem-Sol 1/4" | 2 Way NC, NO

#### Technical Data

Function	2 Way NC, NO
Ports size	1/4" BSP & NPT
Orifice size	4.5mm *Option for 2.8 mm orifice. Please contact our technical sales department
Pressure range	See table
Kv (l/min)	5 l/min
Temperature range	<b>Fluid :</b> 5° to 50°C (no freezing) <b>Ambient :</b> -10°C to 50°C
Materials in contact with media	<b>Manual override:</b> NC : Plastic (Reinforced Nylon) NO : Manual override is not available <b>Main Valve:</b> Reinforced PPA <b>Seals:</b> FKM, EPDM, Silicone, Viton™ Extreme™ ETP-600S
Applications	<ul style="list-style-type: none"> <li>• Chemical process</li> <li>• Water treatment</li> <li>• Analysis device etc</li> </ul>
Coil voltage	<ul style="list-style-type: none"> <li>• Voltage and power consumption - see table</li> <li>• All Baccara coil voltages are ± 10% of nominal</li> </ul>
Standard protection class	IP65 with connector * Option : IP68 (please refer to GEM-BP Coil)



2 Way NC | Vacuum



#### Pressure (bar) NC

Coil Current/Power	Flow direction not restricted	Flow direction restricted
ADC *	0 to 2.5 bar	0 to 0.6 bar
AC 8W	0 to 2.5 bar	0 to 0.7 bar
AC 5.5W	0 to 2 bar	0 to 0.5 bar
DC 5.5W	0 to 1.5 bar	0 to 0.4 bar

#### Vacuum (bar) NC

Coil Current/Power	Flow direction not restricted	minimum Δp
ADC *	-1 to 0 bar	1 bar
AC 5.5W	-1 to 0 bar	
DC 5.5W	-1 to 0 bar	

#### Pressure (bar) NO

Coil Current / Power	Flow direction not restricted	Flow direction restricted <sup>(1)</sup>
ADC *, AC 8W or DC10W	0 to 1 bar	0 to 0.5 bar
5.5W AC/DC	0 to 1 bar	0 to 0.5 bar

(1) Higher input pressure of up to 1atm can be achieved with minimal pressure drop on the valve of 0.3atm

\* ADC valves are only suitable for use with AC8W or DC10W coils.

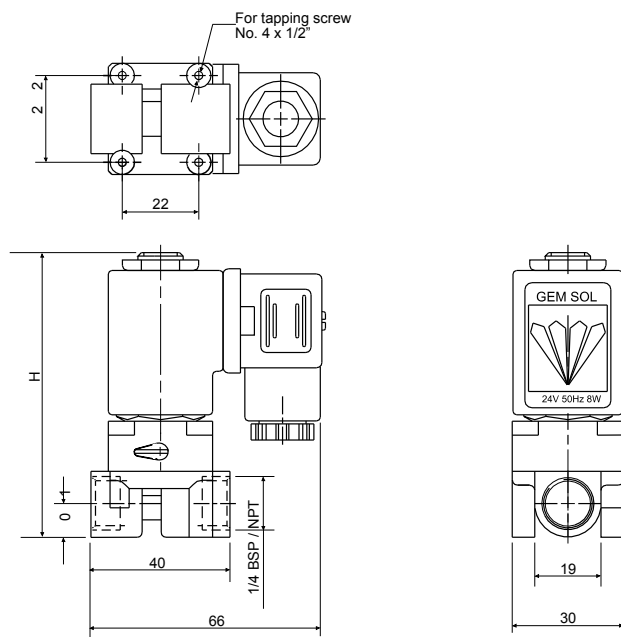
#### Voltage & Power Consumption NC & NO valves

	AC (W)						DC (W)		
	50 Hz		60 Hz						
V	8	5.5	2.5	8	5.5	2.5	10	5.5	3.5
6							•	•	
12	•			•			•	•	
24	•	•		•	•		•	•	
48	•			•			•		
110	•			•	•		•		
120	•			•	•				
220	•	•		•			•		
230	•	•		•	•				
240	•			•			•		

• Available options

# GEM-SOL® | C32 (GEM-C) | Chem-Sol 1/4" | 2 Way NC, NO

## Dimensions



### Notes

Type	Valve Description	H
NC	GEM-C-12 □1...	81
NO	GEM-C-12 □2...	84.5

## How to Order

GEM-C	BODY	PORT	FUNCTION	PRESSURE	SEALS	MANUAL OVERRIDE <sup>(1)</sup>	VOLTAGE	POWER	CONNECTOR
	Plastic 1	1/4" BSP 20	2W NC 1	Vacuum 1	FKM V	None 0	without coil 0	No coil 0	with 1
		1/4" NPT 21	2W NO 2	Pressure 2	EPDM E	<b>Plastic*</b> 1	6 <sup>(2)</sup> 1	AC8W 50Hz 1	with LED 2
			<b>2W NO * 2a</b>		<b>Silicone * S</b>		12 2	AC8W 60Hz 2	<b>flying leads coil *</b> 4
					<b>Viton™ Extreme™ X ETP-600S*</b>		24 3	DC 10W 3	with 1/2" Hub 5
							48 4	AC5.5W 50Hz 4	<b>surge protection with LED *</b> 6
							110 5	AC5.5W 60Hz 5	connector with moulded cable 7
							120 6	DC 5.5W 7	other 9
							220 7A		
							230 7		
							240 8		
							<b>Latch/other * <sup>(3)</sup></b> 9		

\* **SPECIAL OPTIONS** | Extended lead times, Non-stock items, MOQ may be applicable

### Example : GEM-C-12012V1-321

GEM-SOL® C32 (GEM-C) Chem-Sol, Plastic, 1/4" BSP, 2W NC, Pressure, FKM, plastic manual override, 24V AC 8W 60Hz with connector.

(1) 2 Way NO - manual override is not available

(2) DC only

(3) For specifying Latch type coil, please refer to A3P32 (GEM-A3P)valve - How to Order table

\* **Note:** When ordering without coil, please define what current and pressure rating is needed (DC, AC or ADC), otherwise an ADC valve will be supplied.

\* To order valves manufactured according to your specific requirements, please contact our technical sales department.

# SOLENOID VALVES | GEM-SOL® | Special Purpose Isolated

## GEM-SOL® | C32 (GEM-C) Chem-Sol 1/2" | 2 Way NC

### Technical Data

Function	2 Way NC
Ports size	1/2" BSP & NPT
Orifice size	8mm (Up to 600 l/hour)
Pressure range	See table
Kv (l/min)	18 l/min
Temperature range	<b>Fluid :</b> 5°C to 50°C (no freezing) <b>Ambient :</b> -10°C to 50°C
Materials in contact with media	<b>Manual override:</b> Plastic (Reinforced Nylon) * Available for vacuum application only <b>Main Valve:</b> PPH <b>Seals:</b> FKM, EPDM
Applications	<ul style="list-style-type: none"> <li>• Chemical process</li> <li>• Water treatment</li> <li>• Analysis device etc</li> </ul>
Coil voltage	<ul style="list-style-type: none"> <li>• Voltage and power consumption - see table</li> <li>• All Baccara coil voltages are from -5% to ±10% of nominal</li> </ul>
Standard protection class	IP65 with connector * Option : IP68 (please refer to GEM-BP Coil)

• Supplied with mounting threads on request, please specify.



1/2" | Vacuum



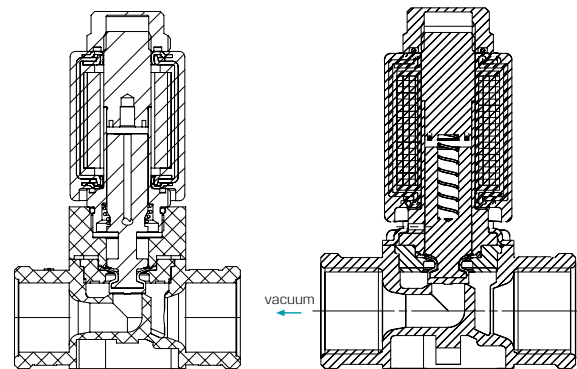
with Manual Override

### Pressure (bar) NC

Coil Current/Power	Flow direction not restricted	Flow direction restricted
AC 8W, DC10W	0 to 0.7 bar	Min dp 0.3 bar

### Vacuum (bar) NC

Coil Current/Power	Flow direction not restricted	Flow direction restricted
AC 8W	-1 to 0.5 bar	-1 to 0.5 bar
AC 5.5W	-0.5 to 0.5 bar	-0.8 to 0.5 bar
DC 10W	-0.4 to 0.5 bar	-0.6 to 0.5 bar



Flow direction  
←

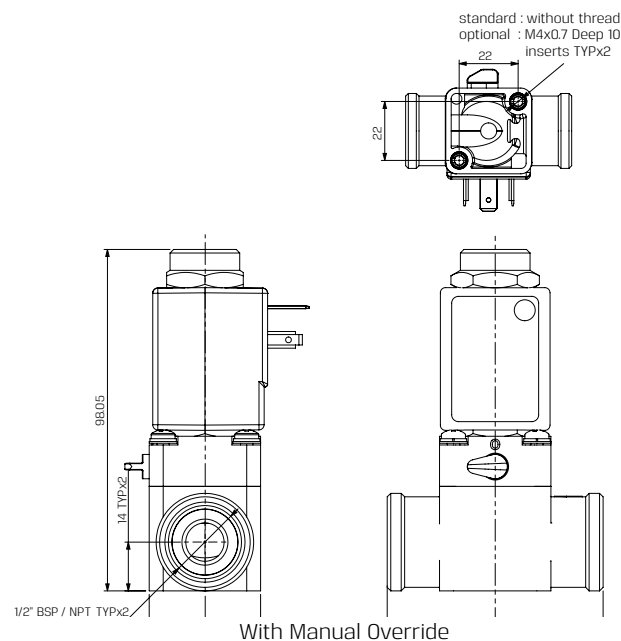
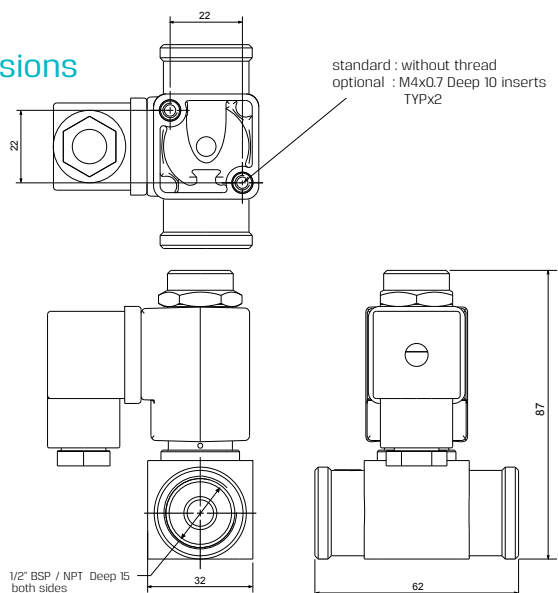
### Voltage & Power Consumption

V	AC (W)						DC (W)		
	50 Hz			60 Hz			10	5.5	3.5
6							•	•	
12	•	•		•	•		•	•	
24	•	•	•	•	•		•	•	
48	•	•		•	•		•	•	
110	•	•		•	•		•	•	
120	•	•		•	•				
220	•	•	•	•	•		•	•	
230	•	•	•	•	•	•			
240	•	•		•	•		•	•	

- Available options :
- Vacuum
- Pressure

# GEM-SOL® | C32 (GEM-C) | Chem-Sol 1/2" | 2 Way NC

## Dimensions



## How to Order

GEM-C	PORT	FUNCTION	PRESSURE	SEALS	MANUAL OVER-RIDE		VOLTAGE	POWER	CONNECTOR							
	1/2" BSP	40	2W NC	1	Vacuum	1	FKM	V	None	Null	W/out coil	0	No coil	0	with	1
	1/2" NPT	41			Pressure	2	EPDM	E	Plastic <sup>(1)</sup>	1	6 <sup>(2)</sup>	1	AC8W 50Hz	1	with LED	2
											12	2	AC8W 60Hz	2	<b>flying leads coil*</b>	<b>4</b>
											24	3	DC10W	3	with 1/2" Hub	5
											48	4	AC5.5W 50Hz	4	<b>surge protection with LED*</b>	<b>6</b>
											110	5	AC5.5W 60Hz	5	connector with moulded cable	7
											120	6			other	9
											220	7A				
											230	7				
											240	8				
											<b>Latch/other* <sup>(3)</sup></b>	<b>9</b>				

\* When ordering without coil, please define what current and pressure rating is needed (DC, AC)

\* **SPECIAL OPTIONS** | Extended lead times, Non-stock items, MOQ may be applicable

### Example : GEM-C-4011V1-321

GEM-SOL® C32 (GEM-C) Chem-Sol, 1/2" BSP, 2W NC for vacuum, FKM, plastic manual override, 24V AC 8W 60Hz with connector.

(1) Available for Vacuum application only

(2) DC only

(2) For specifying Latch type coil, please refer to A3P32 (GEM-A3P)valve - How to Order table

\* To order valves manufactured according to your specific requirements, please contact our technical sales department.