

## GEM-SOL® | CPR (GEM-CPR)

### Precise Isolated Proportional 2 Way NC

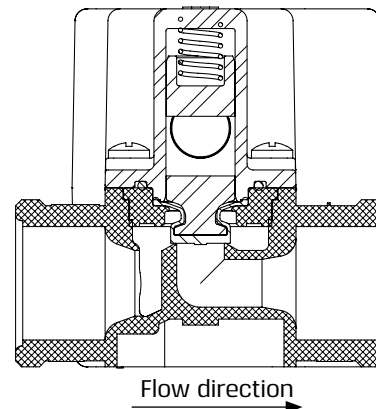
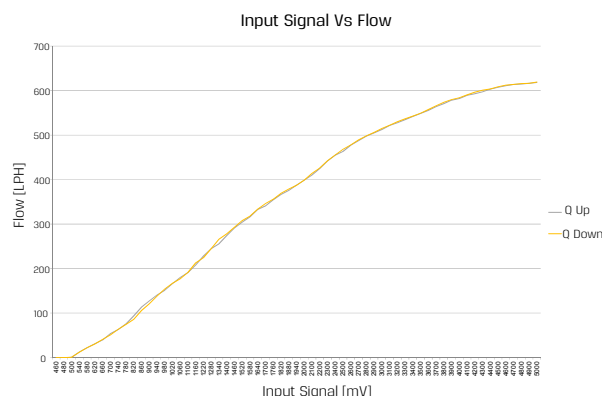


#### Technical Data

Function	2 Way NC (with back-up battery)
Ports size	1/2" BSP & NPT
Orifice size	8mm (Up to 600 l/hour)
Pressure range	<ul style="list-style-type: none"> <li>• Vacuum applications: (-1) - 0 Bar</li> <li>• Pressure applications: 0 - (+1) Bar</li> </ul> *For other pressures, please consult our technical sales department
Temperature range	Fluid: -10° to 45°C (no freezing) Ambient: -10°C to 45°C
Materials	<b>In contact with media:</b> Valve body: <ul style="list-style-type: none"> <li>• Standard: PPH (UV Protection)</li> <li>• Optional: According to customer demand or application (e.g Stainless steel)</li> </ul> Diaphragm & seals: FKM, EPDM  <b>Not in contact with media:</b> Operator housing: PP (UV protection) Manual override: Acetal (Manual override is standard)
Media	<ul style="list-style-type: none"> <li>• Liquids &amp; Gases</li> </ul> *Please consult our technical sales department for a specific media <ul style="list-style-type: none"> <li>• Application examples:                             <ul style="list-style-type: none"> <li>• Irrigation fertilizing systems</li> <li>• Medical devices</li> </ul> </li> </ul>
Control signal	0-5V or 4-20mA or Pulse width 10-260 [ms]
Valve stroke resolution	< 0.01mm
Valve stroke accuracy	< ± 0.01 mm
Full stroke duration	0.6 sec, each direction
Current consumption	<ul style="list-style-type: none"> <li>• Standby Mode (Holding position): 30 [mA]</li> <li>• Active Control Mode: Up to 70 [mA]</li> <li>• Full Open/Close Mode (starting current): Up to 180 [mA]</li> </ul>
Supply voltage	12-24[V] ±10% DC *For other supply voltages, please consult our technical sales department *Current and voltage spikes protections might be required. Please consult our technical sales department
Connection	5 wires cable (3m length) : <ul style="list-style-type: none"> <li>• Black &amp; red: Supply voltage (polarity is not restricted)</li> <li>• Blue: 0-5 V analog control signal</li> <li>• Green: 4-20 mA analog signal or 10-260[ms] Pulse digital</li> <li>• Yellow: Analog control signal common</li> </ul>
Recommended control signal resolution	Voltage: 20 mV   Current: 0.064 mA   Digital pulse 1 [ms]
Standard / Certification	<b>CE</b> <ul style="list-style-type: none"> <li>• EMC: EN55011 Group 1 - Class A   EN61000-6-1</li> <li>• CFR 47 FCC Class A</li> <li>• SAFETY: IEC/EN61010-1</li> </ul>
Standard protection class	IP67

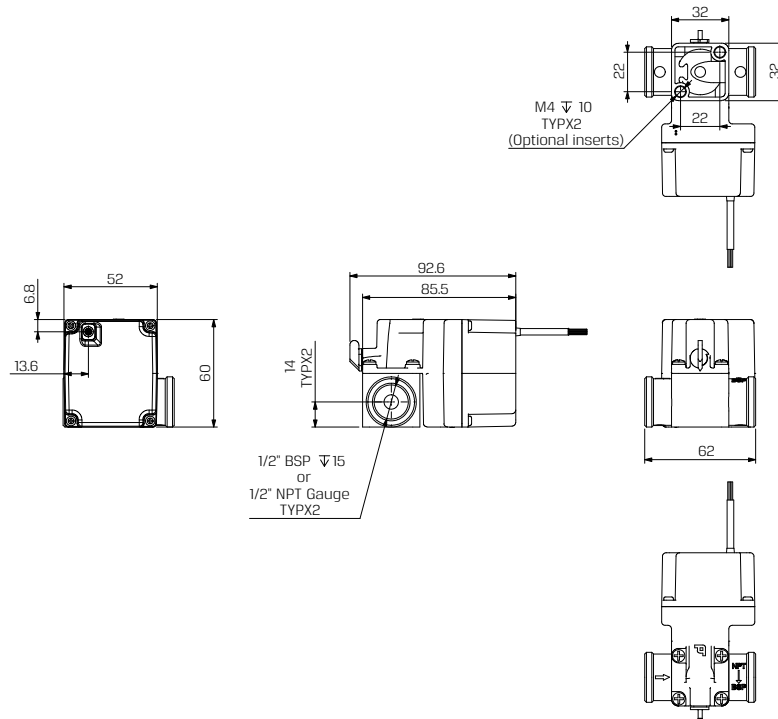


#### Typical Performance Graph



# GEM-SOL® | CPR (GEM-CPR) | Precise Isolated Proportional 2 Way NC

## Dimensions



## How to Order

GEM-CPR	PORT	FUNCTION	PRESSURE	SEALS	MANUAL OVERRIDE	CONTROL SIGNAL	VOLTAGE
1/2" BSP	40	2W NC 1	Vacuum 1	FKM V	Plastic 1	0-5 V 1	12-24 VDC 1
1/2" NPT	41		Pressure <sup>(1)</sup> 2	EPDM E		4-20 mA 2	
						Digital 3	

### Example: GEM-CPR-4011E1-11

GEM-SOL® CPR (GEM-CPR), Precise Isolated proportional valve, 1/2" BSP, 2W NC, Vacuum, EPDM seals, plastic manual override with 0-5V control signal, 12-24VDC

(1) Maximum inlet pressure: 1 bar

\* Please specify the working pressure range when placing an order

\* To order valves manufactured according to your specific requirements, please contact our technical sales department