

COILS & OPERATORS

Operators

GEM-SOL® | G80-O

Operator 2 Way, 3 Way NC, NO

Applicable for GEM-SOL® A22(G80-A) & M22(G80-M) valves

Technical Data

Function	2 Way, 3 Way NC, NO
Orifice size	1, 1.2, 1.6mm
Pressure range (bars)	See solenoid valve performances
Temperature range	Fluid : -10°C to 80°C (no freezing) Ambient : -10°C to 50°C
Response time	5 to 12 ms
Materials in contact with media	Operator: Brass or Stainless Steel. AISI 300 & 400 series Shading ring: Copper Note : Operator for DC is without shading ring and may not be used for AC Orifice: Stainless Steel Spring: Stainless Steel AISI 300 series
Media	Air, inert gases, water *
Threads on operator tube	M8x0.75 male and M5 or #10UNF female to connect exhaust, muffler etc.
Operator assembly	Fix the coil with one M8 nut. Max. tightening torque : 2 N/m
Coil fixing	On a G80 operator with M8x0.75 nut
Coil data	See technical G80 coil data
Coil voltage	• Voltage and power consumption - see table • All Baccara coil voltages are ±10% of nominal

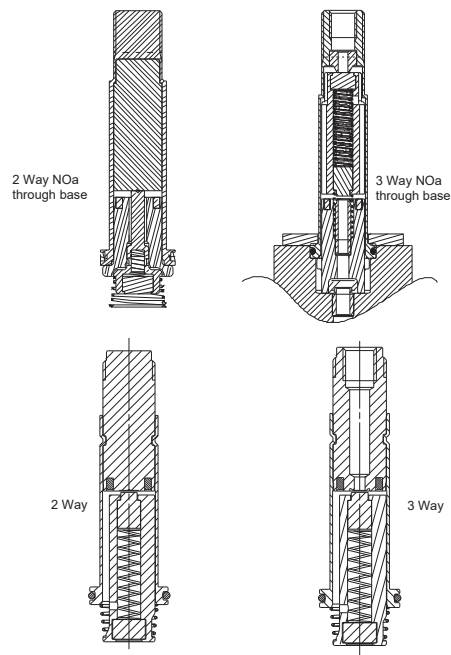
* For other fluids and for use in abnormal conditions, please contact our technical sales department



Voltage & Power Consumption

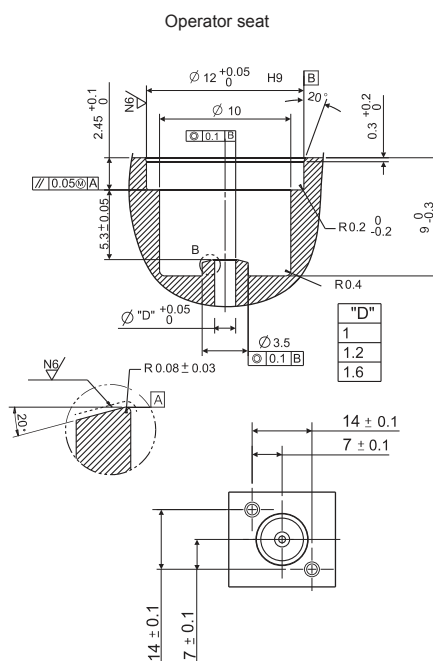
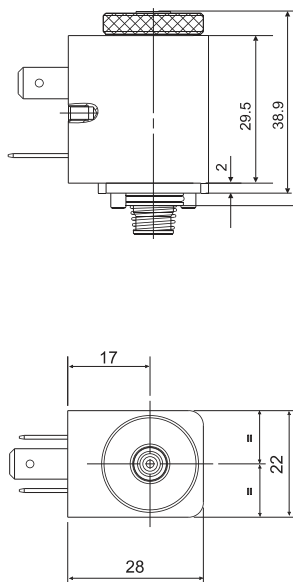
V	AC (W)				DC (W)	
	50 Hz		60 Hz			
6					•	•
12	•	•	•	•	•	•
24	•	•	•	•	•	•
110	•	•	•	•		
230	•	•	•	•		

• Available options



GEM-SOL® | G80-O | Operator 2 Way, 3 Way NC, NO

Dimensions



How to Order

2 Way

G80-O	2W	TUBE	FUNCTION	CURRENT
		Brass 2	2W NC 1	DC 0
		Stainless Steel 3	2WNOa ⁽²⁾ 2a	AC 1

3 Way

G80-O	PORT	TUBE	FUNCTION	CURRENT	ORIFICE
	M5 00	Brass 2	3W NC 3	DC 0	1 1
	#10UNF 01	Stainless Steel 3	3W NO 4	AC 1	1.2 2
	1/8" BSP ⁽¹⁾ 10		3W NOa ⁽²⁾ 4a		1.6 3

* When ordering without coil, please define what current and pressure rating is needed (DC, AC)

SEALS	VOLTAGE	POWER	CONNECTOR
NBR N	W/out coil 0	No coil 0	with 1
FKM V	6 ⁽⁴⁾ 1	AC75W 50Hz 1	surge protection with LED * 3
EPDM E	12 2	AC6W 60Hz 2	flying leads coil * 4
FFKM ⁽³⁾ K	24 3	DC6W 3	other 9
	110 5	AC5W 50Hz 4	
	230 7	AC3W 60Hz 5	
		DC3W 7	

* **SPECIAL OPTIONS** | Extended lead times, Non-stock items, MOQ may be applicable

Example : G80-O-2W210-N-331

GEM-SOL® G80-O Operator, Brass tube, 2W NC, DC, NBR, 24VDC 6W with connector.

Example : G80-O-002302-N-331

GEM-SOL® G80-O Operator, M5, Brass tube, 3W NC, DC, 1.2 orifice, NBR, 24VDC 6W with connector.

(1) Option available with use of an adaptor

(2) Supply pressure through base

(3) FFKM O-ring is available only upon request

When ordering FFKM seals, please consult with our technical sales department about O-ring compound

Available only in 2W NC

(4) DC only

* To order operators manufactured according to your specific requirements, please contact our technical sales department.