

COILS & OPERATORS

Operators

GEM-SOL® | GEM-OG

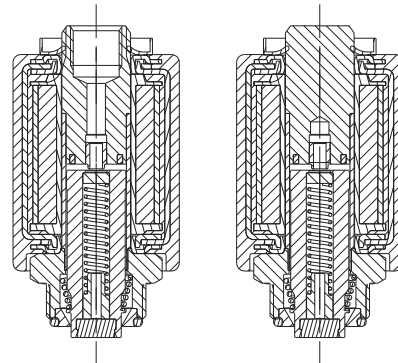
Operator 3/4" UNEF 2 Way, 3 Way NC, NO

Applicable for GEM-SOL® S32 (GEM-S-4) valves

Technical Data

Function	2 Way, 3 Way NC, NO and Latch
Orifice size	0.8 to 3mm
Pressure range (bars)	See solenoid valve performances
Temperature range	Fluid : -10°C to 80°C (no freezing) Ambient : -10°C to 50°C
Response time	16 to 36 ms complete cycle
Materials in contact with media	Operator: Stainless Steel. AISI 300 & 400 series Shading ring: standard - Copper upon request - silver and aluminium Note : Operator for DC is without shading ring and may not be used for AC Orifice: Stainless Steel Spring: Stainless Steel AISI 300 series
Latch	• Optional
Media	Air, gas, water, fuel, oil etc.
Threads on operator tube	G1/4" male and G1/8" or 1/8" NPT female to connect exhaust, muffler etc.
Operator assembly	By screwing 3/4"-20 UNEF-28 hexagonal 22mm to the valve body and fixing the coil by one G1/4" hexagonal 19mm metal or plastic nut. • Max. tightening torque : 3 N/m
Coil fixing	Any position, can be turned 360° around the operator.
Coil data	See technical GEM-SOL® coil data
Coil voltage	• Voltage and power consumption - see table • All Baccara coil voltages are ±10% of nominal

• ADC operators and valves are suitable for use with AC 8W or DC 10W.



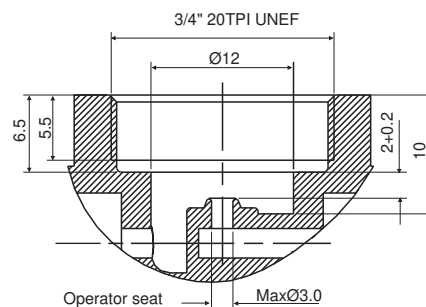
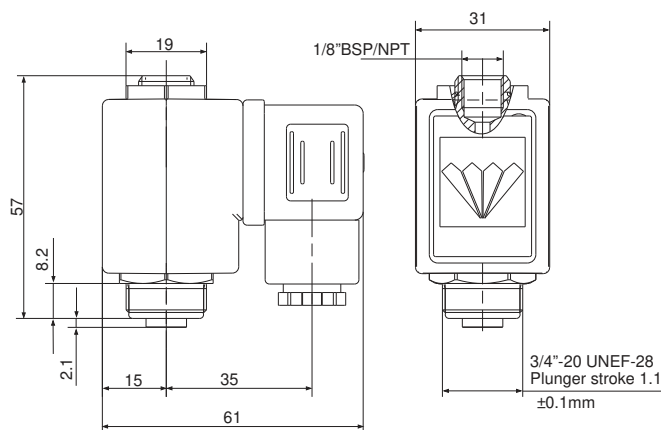
Voltage & Power Consumption

V	AC (W)						DC (W)		
	50 Hz			60 Hz			10	5.5	3.5
6							•	•	•
12	•			•			•	•	•
24	•	•	•	•	•	•	•	•	•
48	•			•			•		
110	•			•	•		•		
120	•			•	•				
220	•	•	•	•			•		
230	•	•		•	•				
240	•			•			•		

• Available options

GEM-SOL® | GEM-OG | Operator 3/4" UNEF 2 Way, 3 Way NC, NO

Dimensions



Operator seat

How to Order

2 Way

GEM-OG	-	2W	FUNCTION
			2W NC 1
			2W NO ⁽¹⁾ 2a

3 Way

GEM-OG	-	PORT	FUNCTION	ORIFICE
		1/8" BSP 10	2W NO 2	0.8 1
		1/8" NPT 11	3W NC 3	1.2 2
			3W NO 4	1.6 3
				2.0 4
				2.4 5
				3.0 6

SEALS	-	VOLTAGE	POWER	CONNECTOR
NBR N		W/out coil 0	No coil 0	with 1
FKM V		6 ⁽²⁾ 1	AC8W 50Hz 1	with LED 2
EPDM E		12 2	AC8W 60Hz 2	flying leads coil * 4
		24 3	DC10W 3	with 1/2" Hub 5
		48 4	AC5.5W 50Hz 4	surge protection with LED * 6
		110 5	AC5.5W 60Hz 5	connector with moulded cable 7
		120 6	AC2.5W 50/60Hz 6	other 9
		220 7A	DC5.5W 7	
		230 7	DC3.5W 8	
		240 8		
		Latch/other * ⁽³⁾ 9		

Example : GEM-OG-2W1-N-341

GEM-SOL® GEM-OG Operator, 2W NC, NBR, 24V AC 5.5W 50Hz with connector

Example : GEM-OG-1034-V-341

GEM-SOL® GEM-OG Operator, 1/8" BSP, 3W NC, 2.0, FKM, 24V AC 5.5W 50Hz with connector

(1) Supply pressure through base

(2) DC only

(3) For specifying Latch type coil, please refer to A3P32 (GEM-A3P) valve - How to Order table.

* Note: When ordering without coil, please define what current and pressure rating is needed (DC, AC or ADC), otherwise an ADC valve will be supplied.

* To order operators manufactured according to your specific requirements, please contact our technical sales department.