

# SOLENOID VALVES | GEM-SOL® | General Purpose

Pilot Operated

## GEM-SOL® | SM32 (GEM-SM)

Manifold 1/4", 1/2" | 2 Way NC, NO

### Technical Data

Function	2 Way NC, NO
Ports size	1/4", 1/2" BSP & NPT
Pressure range	See table *Minimum pressure differential of 0.3 or 0.5 is required
Kv (l/min)	See table
Temperature range	<b>Fluid</b> : -10°C to 80°C (no freezing) <b>Ambient</b> : -10°C to 50°C
Materials in contact with media	<b>Manual override:</b> NC/NO - Brass screw <b>Main Valve:</b> Brass Stainless Steel AISI 316 <b>Solenoid Operator:</b> Stainless Steel AISI 300 & 400 series <b>Seals:</b> NBR, FKM, EPDM
Assembly	<ul style="list-style-type: none"> <li>• Stations attached by 3 screws</li> <li>• End stations are either with ports or plugged</li> </ul>
Coil voltage	<ul style="list-style-type: none"> <li>• Voltage and power consumption - see table</li> <li>• All Baccara coil voltages are ± 10% of nominal</li> </ul>
Standard protection class	IP65 with connector * Option : IP68 (please refer to GEM-BP Coil)

- When using a manifold with more than 8 stations, it is advisable to use two air supplies, one at each end
- It is possible to combine functions on one manifold
- Slow closing system to prevent water hammer effect
- Pressure separation plug between stations is available.



4 Station Manifold | Brass



2 Station Manifold | Stainless Steel

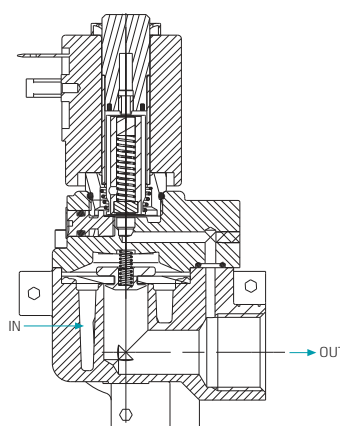
### Pressure (bar) & Flow

Size	Orifice (mm)	Pressure (bar)	Kv(l/min)
1/4"	8	0.5 to 20	12
1/2"	12		35

### Voltage & Power Consumption

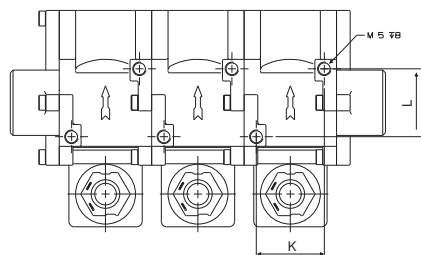
V	AC (W)						DC (W)		
	50 Hz			60 Hz			10	5.5	3.5
6							•		
12	•			•			•		
24	•			•			•		
48	•			•			•		
110	•			•			•		
120	•			•			•		
220	•			•			•		
230	•			•			•		
240	•			•			•		

- Available options



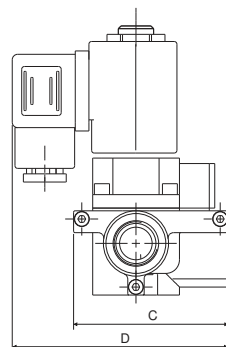
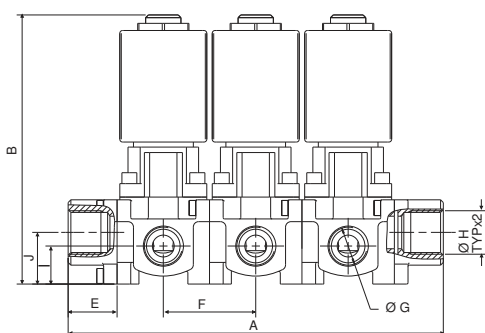
# GEM-SOL® | SM32 (GEM-SM) | 1/4", 1/2" | 2 Way NC, NO

## Dimensions



Size	A	B	C	D	E	F	G	H	I	J	K	L
1/4"	36+34xN*	99	57	80	18	34	1/4" BSP/NPT	3/8" BSP/NPT	14	19	25	25
1/2"	40+40xN*	112.8	67	83.9	20	40	1/2" BSP/NPT	1/2" BSP/NPT	21	26	32	32

\*N - Number of stations



## How to Order

GEM-SM	No. of STATIONS	BODY	PORT	FUNCTION	SEALS	MANUAL OVERRIDE	-	VOLTAGE	POWER	CONNECTOR				
	specify quantity	Brass	2 1/4" BSP <sup>(1)</sup>	20 2W NC 1	NBR	N	None *	0	without coil	0	with	1		
		Stainless Steel *	3 1/4" NPT <sup>(1)</sup>	21 2W NO 2	FKM	V	Slot	2	6 <sup>(2)</sup>	1	AC8W 50Hz	1	with LED	2
			1/2" BSP * 40		EPDM	E	Knob *	3	12	2	AC8W 60Hz	2	with 1/2" Hub	5
			1/2" NPT * 41						24	3	DC10W	3	surge protection with LED *	6
									48	4			connector with moulded cable	7
									110	5			other	9
									120	6				
									220	7A				
									230	7				
									240	8				
									Latch/other <sup>(3)</sup>	9				

\* SPECIAL OPTIONS | Extended lead times, Non-stock items, MOQ may be applicable

### Example : GEM-SM-022202V2-321

GEM-SOL® SM32 (GEM-SM) pilot operated, 2 stations, Brass, 1/4" BSP, 2W NO, FKM, slot manual override, 24VAC 8W 60Hz with connector.

(1) Only available in Brass

(2) DC only

(3) For specifying Latch type coil, please refer to A3P32 (GEM-A3P)valve - How to Order table

\* Note: When ordering without coil, please define what current and pressure rating is needed (DC, AC or ADC), otherwise an ADC valve will be supplied.

\* To order manifolds manufactured according to your specific requirements, please contact our technical sales department.