

SOLENOID VALVES | GEM-SOL® | General Purpose Pilot Operated

GEM-SOL® | Z32 (GEM-Z)

Zero Differential Pressure 1/4"-3/4" | 2 Way NC, NO

Technical Data

Function	2 Way NC, NO
Ports size	1/4", 1/2", 3/4" BSP & NPT
Pressure range	See table * For plastic body, maximum working pressure is 4 bar
Kv (l/min)	See table
Temperature range	Fluid : -10°C to 80°C (no freezing) Ambient : -10°C to 50°C
Materials in contact with media	Main Valve: Brass, Stainless Steel AISI 316, Plastic (Reinforced Nylon)* * Plastic (Reinforced Nylon): only available in 1/2" Solenoid Operator: Stainless Steel AISI 300 & 400 series Seals: NBR, FKM, EPDM
Media	Air, water, oil
Coil voltage	• Voltage and power consumption - see table • All Baccara coil voltages are ± 10% of nominal
Standard protection class	IP65 with connector * Option : IP68 (please refer to GEM-BP Coil)

- When switching from an AC to a DC coil, the solenoid operator must be changed as well.
- Can be used in vacuum application from -1 bar to maximum pressure - see tables.



Brass | 1/2" | NC



Plastic | 1/2" | NC



Stainless Steel | 1/2" | NC

Pressure (bar) & Flow NC

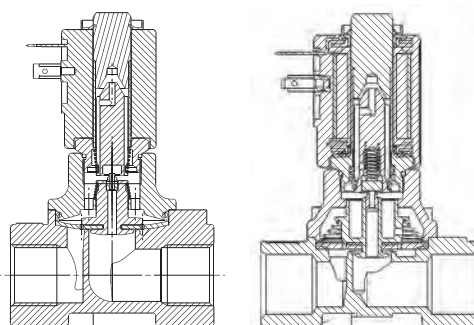
Size	Orifice (mm)	Pressure (bar)		Kv (l/min)
		AC	DC	
1/4"	8	0 to 14	0 to 7	12
1/2"	12	0 to 14	0 to 8	18

Pressure (bar) & Flow NC (GEM-Z-□□r)

Size	Orifice (mm)	Pressure (bar)		Kv (l/min)
		AC	DC	
1/2"	16	0 to 10	0 to 6	60
3/4"	16	0 to 10	0 to 6	80

Pressure (bar) & Flow NO

Size	Orifice (mm)	Pressure (bar)		Kv (l/min)
		AC	DC	
1/4"	8	0 to 8	0 to 8	12
1/2"	12	0 to 8	0 to 8	20



GEM-Z□r

→ Flow direction

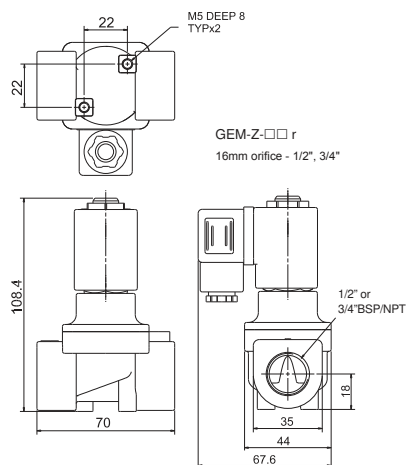
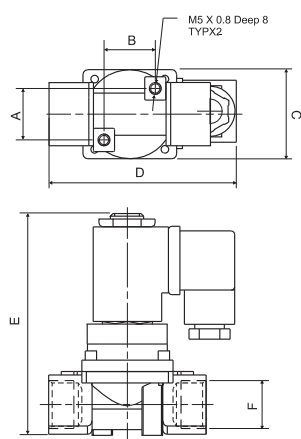
Voltage & Power Consumption

V	AC (W)						DC (W)		
	50 Hz			60 Hz			10	5.5	3.5
6							•		
12	•			•			•		
24	•			•			•		
48	•			•			•		
110	•			•			•		
120	•			•					
220	•			•			•		
230	•			•					
240	•			•			•		

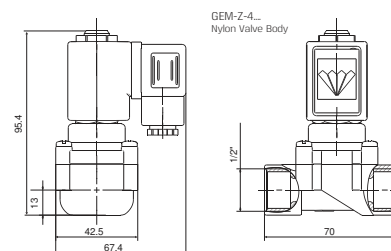
- Available options

GEM-SOL® | Z32 (GEM-Z) | Zero Differential Pressure 1/4"-3/4" | 2 Way NC, NO

Dimensions



Size	A	B	C	D	E	F	Weight with coil
1/4"	22	22	32	58	89	1/4" BSP/NPT	415gr.
1/2"	22	22	38	70	95	1/2" BSP/NPT	530gr.



How to Order

* When ordering without coil, please define what current and pressure rating is needed (DC, AC)

GEM-Z	BODY	PORT	FUNCTION	SEALS	VOLTAGE	POWER	CONNECTOR						
Brass	2	1/4" BSP	20	2W NC	1	NBR	N	W/out coil	0	No coil	0	with	1
Stainless Steel	3	1/4" NPT	21	2W NO* ⁽⁵⁾	2a	FKM	V	6 ⁽⁶⁾	1	AC8W 50Hz	1	with LED	2
Plastic ⁽¹⁾	4	1/2" BSP	40			EPDM	E	12	2	AC8W 60Hz	2	flying leads coil*	4
		1/2" NPT	41					24	3	DC10W	3	with 1/2" Hub	5
		1/2" BSP* ^{(2) (3)}	40r					48	4			surge protection with LED*	6
		1/2" NPT * ^{(2) (3)}	41r					110	5			connector with moulded cable	7
		3/4" BSP* ^{(3) (4)}	50r					120	6			other	9
		3/4" NPT* ^{(3) (4)}	51r					220	7A				
								230	7				
								240	8				
								Latch/ other ⁽⁷⁾	9				

* **SPECIAL OPTIONS** | Extended lead times, Non-stock items, MOQ may be applicable

Example : GEM-Z-2401N-221

GEM-SOL® Z32 (GEM-Z) Zero Differential, Brass, 1/2" BSP, 2W NC, NBR, 12V AC8W 60Hz with connector.

(1) Only available in 1/2"

(2) Not available in Stainless Steel

(3) 16mm orifice

(4) Only for Stainless Steel 16mm orifice

(5) NO function without M/O, not available for GEM-Z-□□r

(6) DC only

(7) For specifying Latch type coil, please refer to A3P32 (GEM-A3P) valve - How to Order table

* To order valves manufactured according to your specific requirements, please contact our technical sales department.