

GEM-FLOW™ | G75-C-1W & 1W+

Irrigation Window Controller



Technical Data

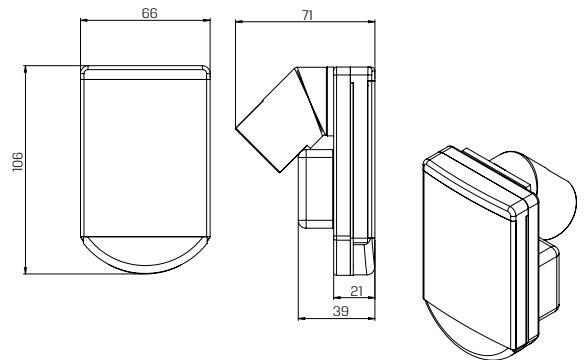
Operating temperature	-10° to 60°C
Mounting	<p>Various mounting options:</p> <ul style="list-style-type: none"> • Directly on a 28mm diameter solenoid in horizontal or vertical position with adaptor • Wall mounting with four screws • Accessories provided
Electrical	<p>Powered by single 9V alkaline battery; use best quality to ensure at least one year's autonomous operation.</p> <ul style="list-style-type: none"> • Back-up memory • Low battery warning • Power saving LCD • Battery included
Solenoid	<p>Both Window and Window+ controllers have identical programming.</p> <ul style="list-style-type: none"> • Window: compatible with G75 4Ω latch operator • Window+: has a stronger output to operate G80 latch and GEM-SOL® '1L' latch coils
Valve	<ul style="list-style-type: none"> • Window: can operate any valve equipped with 3/4" UNEF solenoid cavity (Richdel® type) • Window+: only with Baccara latch valve
Software	<ul style="list-style-type: none"> • 24 hours real time clock • See 'Programming key features' table
Options	<ul style="list-style-type: none"> • Solar panel • Charger • Accurate clock (low time drift)
Standard / Certification	CE
Standard protection class	<ul style="list-style-type: none"> • Dust and watertight • IP67 and NEMA 4X



G75 Window +



Irrigation cycles within a defined time frame



Mounting Options

Wall mounting



Horizontal mounting



GEM-FLOW™ | G75-C-1W & 1W+ | Irrigation Window Controller

Programming Key Features

Set start and end hours
Set On time (1 second to 12 hours)
Set Off time (1 min to 12 hours)
Day select
OFF

How to Order: G75 Window

G75-C-1W	-	VALVE
		No valve 00
		1/2" BSP 40
		1/2" NPT 41
		3/4" BSP 50
		3/4" NPT 51
		1" BSP 60
		1" NPT 61
		1-1/2" BSP 70
		1-1/2" NPT 71
		2" BSP 80
		2" NPT 81
		G75-A *

* G75-A

TYPE	PORT	FUNCTION	MANUAL OVERRIDE	ORIFICE
with flange 1	1/8" BSP 10	2W NC 1	None 0	1.0 ⁽¹⁾ 1
Brass 3	1/8" NPT 11	3W NC 3		1.2 2
	1/4" BSP ⁽¹⁾ 20	3W NO 4		1.6 3
	1/4" NPT ⁽¹⁾ 21			

* This controller will only operate with G75 operators

Example: G75-C-1W-50

GEM-FLOW™ G75 Window controller with 3/4" BSP valve.

(1) Brass only

How to Order: G75 Window+

G75-C-1W+	-	VALVE
		Refer to How to Order section of GEM-SOL® valves. Consult with us to discuss your specific requirements.

Example: G75-C-1W+-GEM-A-21045NO

GEM-FLOW™ G75 Window+ controller with: GEM-SOL® A32 (GEM-A) valve, Brass, 1/8" BSP, 3W NO, 2.4 orifice, NBR, no manual override.

* To order controllers manufactured according to your specific requirements, please contact our technical sales department