

# Process Valves

Globe | Plastic

GC

Special

## General Purpose 3/4"-2" | 3 Way

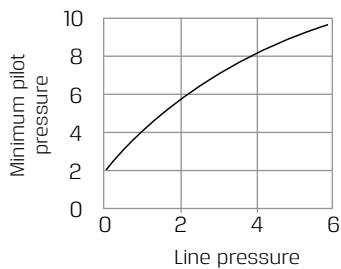
### Technical Data

Function	3 Way
Ports size	3/4", 1", 1-1/2", 2" BSP & NPT
Pressure range	See table
Temperature range	<b>Fluid</b> : -5°C to 60°C (no freezing) <b>Ambient</b> : -10°C to 50°C
Materials in contact with media	<b>Main Valve:</b> Plastic (Reinforced Nylon 6) <b>Seal seat:</b> Polyurethane

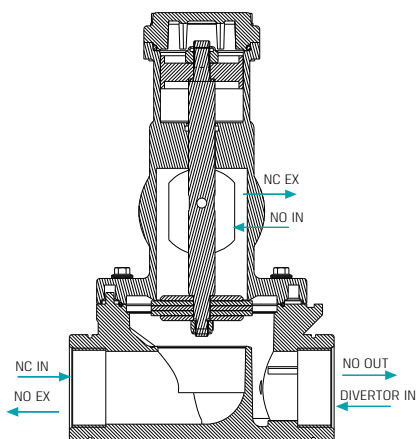
- Use a 5x2 pilot valve to control the valve.

### Pressure (bar) & Flow

Size	Orifice (mm)	Line Pressure
3/4", 1"	27	Vacuum - 5 bar
1-1/2", 2"	55	Vacuum - 5 bar

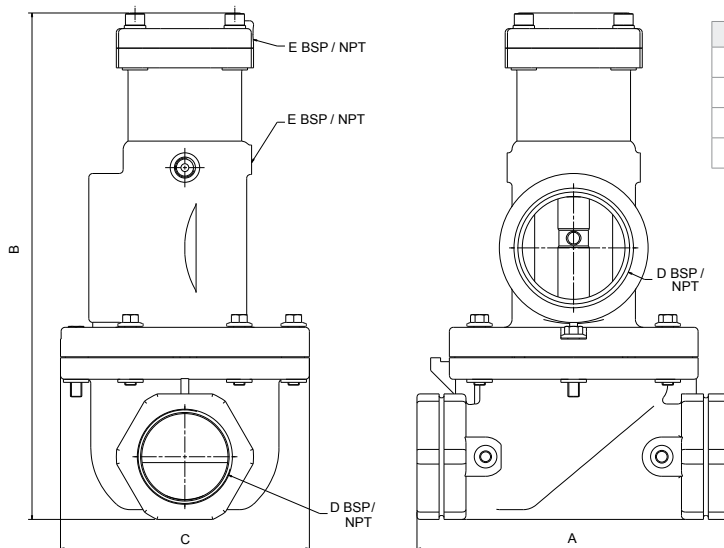


1-1/2" | General purpose



# GC | General Purpose 3/4"-2" | 3 Way

## Dimensions



Size	A	B	C	D	E
3/4"	110	142	81	3/4"	1/8" BSP/NPT
1"	110	142	81	1"	1/8" BSP/NPT
1-1/2"	160	264	126	1-1/2"	1/8" BSP/NPT
2"	170	274	126	2"	1/8" BSP/NPT

## How to Order

GC	BODY	TYPE	PORT	FUNCTION	SEALS		
	Plastic	4	Globe	1			
			3/4" BSP	50	General purpose	9	
			3/4" NPT	51		Polyurethane	P
			1" BSP	60			
			1" NPT	61			
			1-1/2" BSP	70			
			1-1/2" NPT	71			
			2" BSP	80			
			2" NPT	81			

### Example : GC-4160-9P

GC Plastic, Globe, 1" BSP, 3 Way, Polyurethane seals

\* To order valves manufactured according to your specific requirements, please contact our technical sales department.