

## GEM-FLOW™ | G500-S

### Hydraulic with Manual Selector 1-1/2" - 4"

#### Description

G500-S model valve is the hydraulic control valve operated by line pressure and designed to ensure opening/closing process by means of a 3 Way selector valve. Minimum opening pressure of valve is 0.7 bar. Thanks to its flexible diaphragm, it makes easy and fast control process in high pressure applications and is closed completely tight without causing surge. It may be used in different applications by adding different pilot valves on its main body.

#### Applications

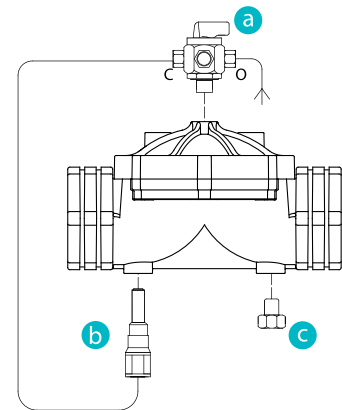
- Use G500-S for local operation of hydraulic valve by a manual command
- Use G500-S for water distribution and field

#### Standards

- G500-S: manual control valve with 3 Way selector valve, polyethylene plastic tubing and nylon fittings

#### How to Order

G500	-	TYPE	-	PORT	
G500	-	Hydraulic with Manual Selector	S	1-1/2" BSPT	70
			SM	1-1/2" NPT	71
				2" BSPT	80
				2" NPT	81
				2-1/2" BSPT	85
				2-1/2" NPT	86
				3" BSPT	90
				3" NPT	91
				4" BSPT	100
				4" NPT	101
			4" Flange	100F	



- a 3W selector valve
- b In-line finger filter
- c Plug

#### Example: G500-SM-80

GEM-FLOW™ G500 Hydraulic with manual selector, 2" BSPT

\* To order valves manufactured according to your specific requirements, please contact our technical sales department