

SOLENOID VALVES

GEM-FLOW™ | G75-VSA

1/8" Stand-alone Solenoid 3 Way NC, NO

Technical Data

Function	3 Way NC, NO
Ports size	1/8" BSPT & NPT
Orifice size	1.8 mm
Pressure range	0 to 8 bar
Switching time	30-50 ms
Temperature range	Fluid: 0°C to 50°C (no freezing) Ambient: -10°C to 50°C
Materials in contact with media	Manual override: Plastic (Reinforced Nylon) Main Valve: Plastic (Reinforced Nylon & POM) Solenoid Operator: Stainless Steel AISI 300 & 400 series Seals: EPDM
Mounting	Lock nut on the bottom COM port
Manual override	Latch: 3 position latch: Auto, Close, Open AC: 2 position: Auto, Open
Media	Air, water
Coil voltage	Latch, AC (according to table)
Standard protection class	IP66

* Can **only** be operated with supplied coil



PORT	NO	NC
1	Exhaust	Pressure
3	Pressure	Exhaust
COM	Out	Out

Voltage & Current

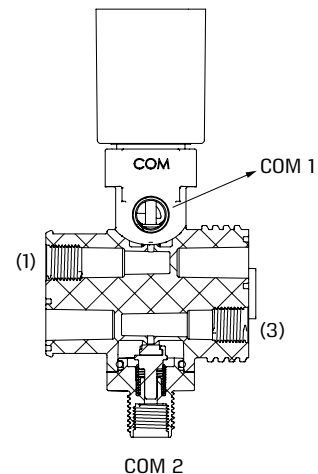
AC & DC

Solenoid	Inrush [A]	Holding [A]
24VAC-50 Hz	0.33	0.21

Latch Coil Resistance vs Input Voltage

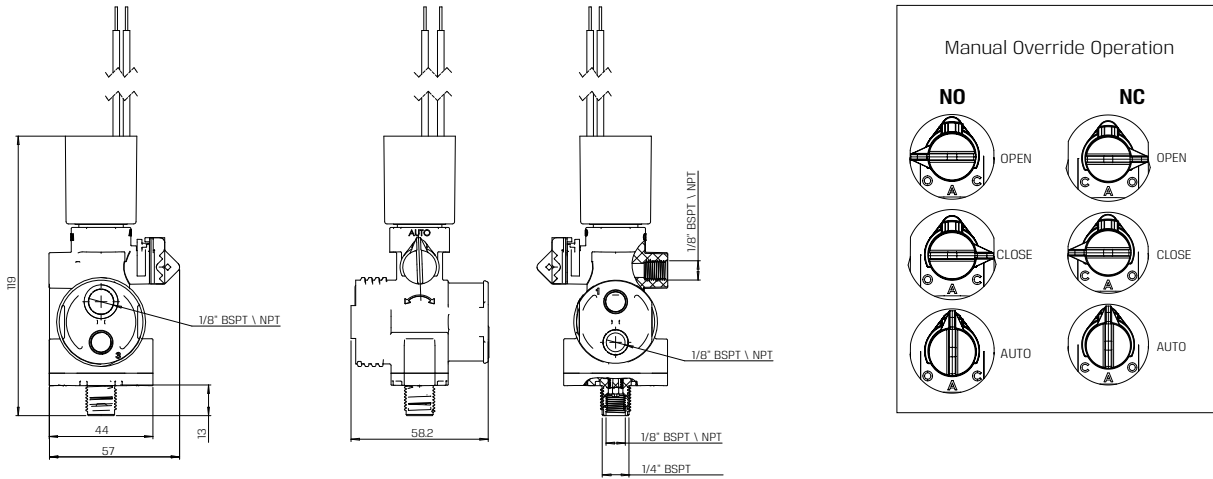
Recommendations chart

Resistance [Ω]	Input voltage range [V]
4	6 - 9
9	12 - 14
12	14 - 16
23	18 - 21



GEM-FLOW™ | G75-VSA | 1/8" Stand-alone Solenoid 3 Way NC, NO

Dimensions



How to Order

G75-VSA	BODY	PORT	FUNCTION	MANUAL OVERRIDE	ORIFICE	SEALS	TYPE	OUTLET ⁽³⁾	WIRES
	Plastic 4	1/8" BSPT 10	3W NC 3	Plastic 1	1.8 3a	EPDM E	24VAC-50Hz ⁽¹⁾ S1	COM 1 1	two Null
		1/8" NPT 11	3W NO 4				4Ω ⁽²⁾ SB	COM 2 2	three ⁽⁴⁾ a
							9Ω ⁽²⁾ SC		
							12Ω ⁽²⁾ SD		
							23Ω ⁽²⁾ S6		

Example: G75-VSA-410313aE-SB1

GEM-FLOW™ G75-VSA stand-alone solenoid, plastic, 1/8" BSPT, 3W NC, plastic manual override, 1.8 orifice, EPDM seals, 4Ω latch, COM 1 outlet, two wires

(1) Refer to Voltage & Current AC & DC

(2) For Latch : Refer to Latch Coil Resistance vs Input Voltage | Recommendations chart

(3) A plug will be fitted on the other outlet port

(4) Latch only

* To order valves manufactured according to your specific requirements, please contact our technical sales department