

GEM-SOL® | S32 (GEM-S-4)

Upstream Pilot Control Integrated with GEM-SOL® Operator 3/4" - 2" 2 Way NC

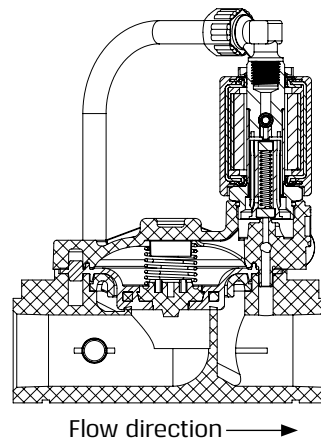
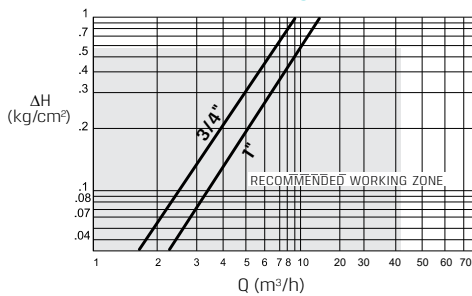
Technical Data

Function	2 Way NC
Ports size	3/4", 1", 1-1/2", 2" BSPT & NPT
Connection	Female BSPT or NPT thread
Pressure range	0.3 to 10 bar
Temperature range	Fluid: 5°C to 50°C (no freezing) Ambient: -10°C to 50°C
Solenoid	GEM-SOL® (GEM-OG)
Materials in contact with media	Manual override: Plastic (Reinforced Nylon) Body & cover: Plastic (Reinforced Nylon) Spring: Stainless Steel AISI 302 Diaphragm: NR : 3/4", 1" EPDM : 1-1/2", 2" Seals: NBR Screws: Stainless Steel AISI 304 Solenoid: Stainless Steel AISI 300 & 400 series
Coil voltage	• Voltage and power consumption - see table • All Baccara coil voltages are ± 10% of nominal
Standard protection class	IP65 with connector * Option: IP68 (please refer to GEM-BP Coil)

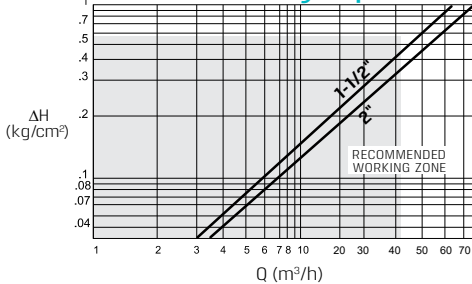
- Progressive opening and shut off that prevents water hammer



Head Loss for Fully Open Valve



Head Loss for Fully Open Valve

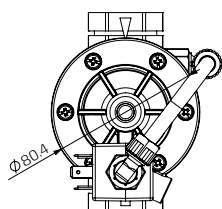
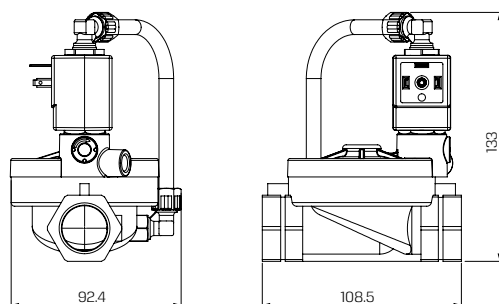


Flow Factor & Orifice

Size	Orifice (mm)	Kv (l/min)
3/4"	27	140
1"	27	200
1-1/2"	55	520
2"	55	600

GEM-SOL® | S32 (GEM-S-4) | Upstream Pilot Control Integrated with GEM-SOL® Operator 3/4" - 2" 2 Way NC

Dimensions



How to Order

* When ordering without coil, please define what current and pressure rating is needed (DC, AC)

GEM-S-4	-	BODY	PORT	FUNCTION	SEALS	MANUAL OVERRIDE	FLOW CONTROL	-	VOLTAGE	POWER	CONNECTOR						
Plastic	4	3/4" BSPT	50	External pilot	4	NR	N	None	0	with	1	without coil	0	No coil	0	with	1
			51	Upstream pilot	4H		Plastic	1	without ⁽¹⁾	2	6 ⁽²⁾	1	AC8W 50Hz	1	with LED	2	
			60								12	2	AC8W 60Hz	2	flying leads coil *	4	
			61								24	3	DC10W	3	with 1/2" Hub	5	
			70								48	4	AC5.5W 50Hz	4	surge protection with LED *	6	
			71								110	5	AC5.5W 60Hz	5	connector with moulded cable	7	
			80								120	6			other	9	
			81								220	7A					
									230	7							
									240	8							
									Latch/ other * ⁽³⁾	9							

* SPECIAL OPTIONS | Extended lead times, Non-stock items, MOQ may be applicable

Example: GEM-S-4-4504N11-331

GEM-SOL® S32 (GEM-S-4) pilot operated upstream, Plastic, 3/4" BSPT, External pilot, NR seals, plastic manual override, with flow control, 24V DC 10W with connector

(1) 3/4", 1" valves only

(2) DC only

(3) For specifying Latch type coil, please refer to A3P32 (GEM-A3P) valve - How to Order table

* To order valves manufactured according to your specific requirements, please contact our technical sales department